

MASTER LEDspot LV

MASTER LEDspotLV 4.5-20W 827 MR16 36D



Delivering a warm, halogen-like accent beam, MASTER LEDspot LV is an ideal retrofit solution for spot and general lighting applications in the hospitality industry. It is particularly suited to public areas such as receptions, lobbies, corridors, stairwells and washrooms, where the light is on all the time. The robustly designed MASTER LEDspot offers a choice of beam angles for a clearly defined beam spread. There is no UV or IR in the beam, making it suitable for illuminating heat-sensitive objects (food, organic materials, paintings, etc.). The patented intelligent driver enables broad compatibility with existing electromagnetic and electronic halogen transformers. The dimmable versions drive further efficiencies, while helping to create the desired atmosphere.

Product data

• General Characteristics

Cap-Base	GU5.3
Bulb	MR16 [MR 16inch/50mm]
Rated Lifetime (hours)	40000 hr
Rated Lifetime (years)	25 an
Nominal Lifetime hours	40000 hr

• Light Technical Characteristics

Colour Code	827
Colour Designation	Warm White
Beam Angle	36 D
Correlated Colour Temperature	2700 K
Luminous Flux	207 Lm
Luminous Intensity	1000 cd
Colour rendering index	80
Colour Temperature	2700 K [CCT 2700K]
Rated Luminous Flux	207 Lm
LLMF - end nominal lifetime	40000 %
Colour consistency	6 steps
Rated Beam Angle	24 D
Luminous flux in 90° cone	207 Lm

• Electrical Characteristics

Wattage	4 W
Wattage Technical	4.5 W
Line Frequency	50-60 Hz
Power Factor	0.7 -
Lamp Current mA	491 mA

Dimmable	No
Wattage Equivalent	20 W
Rated Wattage	4.5 W
Starting Time	0.1 (max) s
Suitable for accent lighting	Yes

• Environmental characteristics

Energy Efficiency Label (EEL)	A
-------------------------------	---

• Measuring Conditions

Switching cycle	50000x
-----------------	--------

• Product Dimensions

Overall Length C	50 mm
Diameter D	48.3 mm

• Product Data

Order code	722380 00
Full product code	871829172238000
Full product name	MASTER LEDspotLV 4.5-20W 827 MR16 36D
Order product name	MAS LEDspotLV 4.5-20W 827 MR16 36D
Pieces per pack	1
Packing configuration	10
Packs per outerbox	10
Bar code on pack - EAN1	8718291722380
Bar code on outerbox - EAN3	8718291722397



PHILIPS

MASTER LEDspot LV

Logistic code(s) - 929000265202
12NC

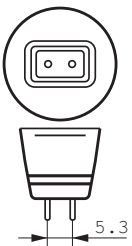
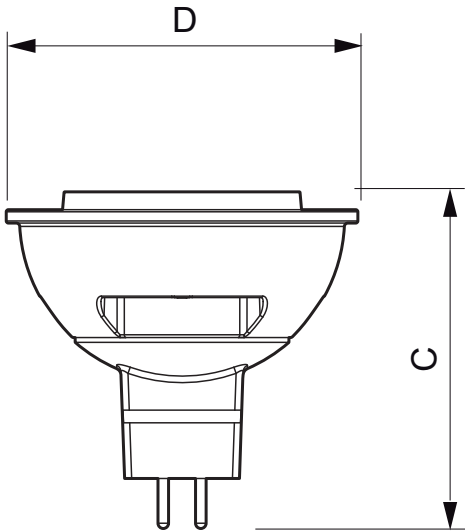
Net weight per piece 0.060 kg

Warnings and Safety

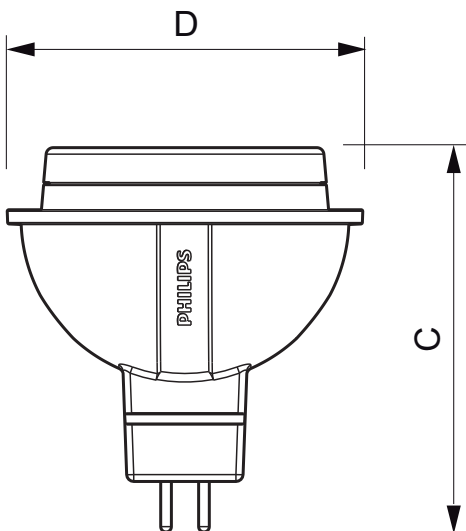
- Operating temperature range is between -20° C and 45° C ambient

- Only to apply in dry or damp locations and most of open fixtures with lamp-holders that offer sufficient space (10 mm free air space)
- Not intended for use with emergency light fixtures or exit lights

Dimensional drawing



GU5.3



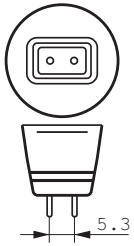
MASTER LEDspotLV 4.5-20W 827 MR16 36D

Product	C (Norm)	C1 (Max)	D (Norm)	D1 (Norm)
LED 4.5-20W 827 MR16 36D	50	-	48.3	-

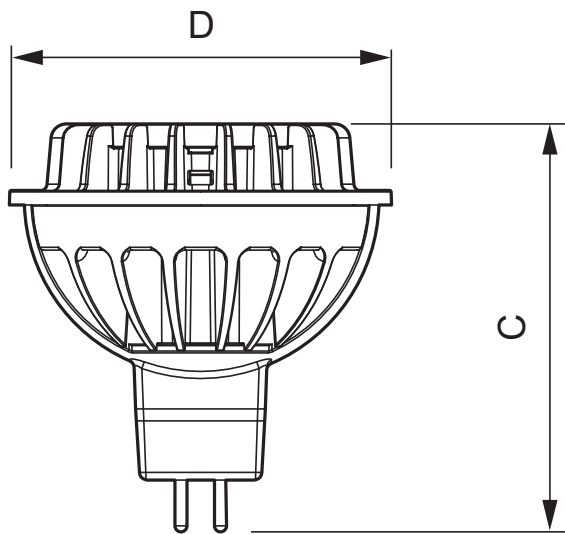
MASTER LEDspotLV 4.5-20W 827 MR16 36D

Product	C (Norm)	C1 (Max)	D (Norm)	D1 (Norm)
LED 4.5-20W 827 MR16 36D	50	-	48.3	-

Dimensional drawing

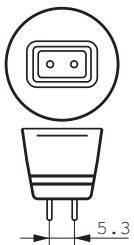


GU5.3



MASTER LEDspotLV 4.5-20W 827 MR16 36D

Product	C (Norm)	C1 (Max)	D (Norm)	D1 (Norm)
LED 4.5-20W 827 MR16 36D	50	-	48.3	-



GU5.3



© 2013 Koninklijke Philips N.V. (Royal Philips)
All rights reserved.

Specifications are subject to change without notice. Trademarks are the property of Koninklijke Philips N.V. (Royal Philips) or their respective owners.

www.philips.com/lighting

2013, October 23
data subject to change