



Primaline Halogen Transformers

Primaline 150 230-240V 50/60Hz

Philips Primaline is a high-frequency electronic halogen transformer suitable for low-voltage 12 V halogen lamps. It offers ultimate performance and is built with overload and short circuit protection to IEC and ENEC standards. It is available in 70, 105 and 150 W versions and fits in small down light halogen applications.

Warnings and Safety

- Transformer is not suitable for DC operation

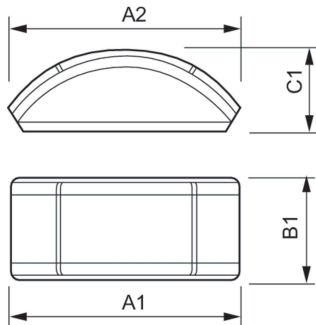
Product data

Operating and Electrical	
Input Voltage	230 to 240 V
Line Frequency	50 to 60 Hz
Input Frequency	50 to 60 Hz
Temperature	
T-Case Lifetime (Nom)	65 °C
T-Case Maximum (Max)	80 °C
Approval and Application	
Approval Marks	SELV CE marking ENEC certificate

Product Data	
Order product name	Primaline 150 230-240V 50/60Hz
Full product name	Primaline 150 230-240V 50/60Hz
Full product code	871150091270130
Order code	913700627791
Material Nr. (12NC)	913700627791
Numerator - Quantity Per Pack	1
EAN/UPC - Product/Case	8711500912701
Numerator - Packs per outer box	50
EAN/UPC - Case	8711500912718

Primaline Halogen Transformers

Dimensional drawing



Product	C1	A1	B1
Primaline 150 230-240V 50/60Hz	33 mm	145 mm	51 mm

