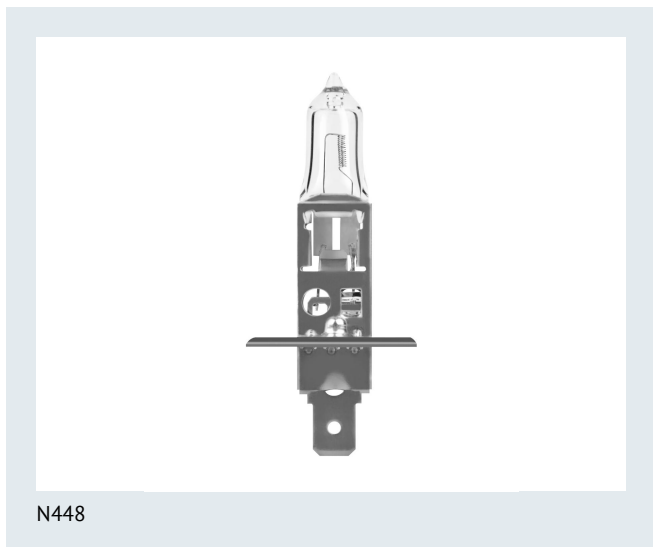




NEOLUX[®]
GERMAN TECHNOLOGY

Standard 55 W 12 V P14.5s



N448

Areas of application

- Headlight



N448



N448-01B

Product information

Application (Category and Product specific)	Halogen headlight lamp
---	------------------------

Electrical Data

Power input	68 W
Test voltage	13.2 V
Nominal wattage	55 W
Nominal voltage	12.0 V

Photometric Data

Color temperature	3200 K
Nominal luminous flux	1550 lm
Luminous flux tolerance	±15 %

Physical Attributes & Dimensions

Product weight	6.30 g
Length	62.5 mm
Lamp base	P14.5s
Diameter	8.5 mm

Lifetime Data

Lifespan Tc	400 hr
Lifespan B3	150 hr

Capabilities

Technology	Halogen lamp
------------	--------------

Certificates & standards

ECE category	H1
British standard	448

Logistical data

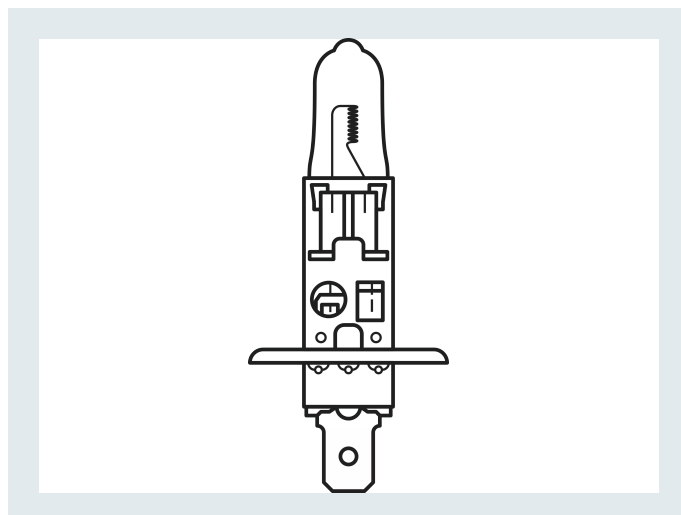
Order reference	N448
-----------------	------

Environmental & Regulatory Information

Primary article identifier	4052899198432 4008321771476 4008321760340
Candidate list substance 1	No declarable substances contained
Declaration no. in SCIP database	No declarable substances contained

Packaging Information

Packaging description	EAN	Packaging type	Amount of article
N448	4008321760340	FOLDING BOX	1
N448-01B	4008321771476	BLISTER	1



NEOLUX[®]
GERMAN TECHNOLOGY

NEOLUX Automotive Lighting
OSRAM GmbH

Marcel-Breuer-Str 4
80807 Munich, Germany

Phone +49 89 6213-0
Fax +49 89 6213-2020

www.neolux-lighting.com