

Produktdatablad

P DIM PAR16 8 W/840 GU10

PARATHOM DIM PAR 16 | Dimbara LED-reflektorlampor PAR16 med stiftsockel



Tekniska data

Elektriska data

| | |
|--|-------------|
| ZLDV_Rated wattage [AGGR] | 8.00 W |
| ZLDV_Nominal wattage [AGGR] | 8.00 W |
| ZLDV_Nominal voltage [AGGR] | 220...240 V |
| ZLDV_Claimed equiv. conventional lamp power [AGGR] | 80 W |
| ZLDV_Operating frequency [AGGR] | 50...60 Hz |
| ZLDV_Nominal current [AGGR] | 0.047 A |

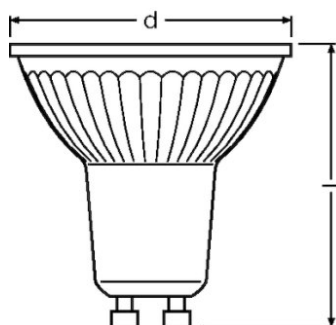
Fotometrisk data

| | |
|---|------------|
| ZLDV_Nominal luminous flux [AGGR] | 575 lm |
| ZLDV_Rated luminous flux [AGGR] | 575 lm |
| ZLDV_Rated color temperature [AGGR] | 4000 K |
| ZLDV_Color rendering index Ra [AGGR] | ≥80 |
| ZLDV_Light color (designation) [AGGR] | Cool White |
| ZLDV_Standard deviation of color matching [AGGR] | ≤5 sdcn |
| ZLDV_Nominal useful luminous flux 90° [AGGR] | 575 lm |
| ZLDV_Rated useful luminous flux 90° [AGGR] | 575 lm |
| ZLDV_Rated peak intensity [AGGR] | 1439 cd |
| ZLDV_Color temperature [AGGR] | 4000 K |
| ZLDV_Luminous flux [AGGR] | 575 lm |
| ZLDV_Lumen main.fact.at end of nom.life time [AGGR] | 0.70 |

Ljustekniska värden

| | |
|--|---------|
| ZLDV_Beam angle [AGGR] | 36 ° |
| ZLDV_Nominal beam angle [AGGR] | 36 ° |
| ZLDV_Rated beam angle (half peak value) [AGGR] | 36.00 ° |
| ZLDV_Starting time [AGGR] | < 0.5 s |

Mått



| | |
|------------------------------|---------|
| ZLDV_Overall length [AGGR] | 55.0 mm |
| ZLDV_Diameter [AGGR] | 51.0 mm |
| ZLDV_Outer bulb [AGGR] | PAR51 |
| ZLDV_Product weight [AGGR] | 56.00 g |
| ZLDV_Length [AGGR] | 55.0 mm |
| ZLDV_Maximum diameter [AGGR] | 51.0 mm |

Temperaturer och driftsförhållanden

| | |
|---------------------------------------|--------------|
| ZLDV_Ambient temperature range [AGGR] | -20...+40 °C |
|---------------------------------------|--------------|

Livslängder

| | |
|--|---------|
| ZLDV_Nominal lamp life time [AGGR] | 25000 h |
| ZLDV_Rated lamp life time LEDr [AGGR] | 25000 h |
| ZLDV_Number of switching cycles [AGGR] | 100000 |
| ZLDV_Lumen maintenance at end of service life [AGGR] | 0.70 |

Tillägg produktdata

| | |
|---|--|
| ZLDV_Base (standard designation) [AGGR] | GU10 |
| ZLDV_Mercury content [AGGR] | 0.0 mg |
| ZLDV_Mercury-free [AGGR] | Yes |
| Bortskaffande enl. WEEE-direktivet | Ja |
| Produkten ersätts av EAN | 4058075449244 |
| ZLDV_Product remark [AGGR] | All technical parameters apply to the entire lamp/Due to the complex production process for light-emitting diodes, the typical values shown for the technical LED parameters are purely statistical values that do not necessarily match the actual technical parameters of each individual product, which can vary from the typical value |

Produktdatablad

| | |
|--------------------------|---------------|
| Produkten ersätts av EAN | 4052899958029 |
|--------------------------|---------------|

Användningsområden

| | |
|----------------------|-----|
| ZLDV_Dimmable [AGGR] | Yes |
|----------------------|-----|

Certifikat och Standarder

| | |
|-------------------------------------|-------------|
| ZLDV_Energy efficiency class [AGGR] | A+ |
| ZLDV_Energy consumption [AGGR] | 8 kWh/1000h |
| ZLDV_Type of protection [AGGR] | IP20 |

Landspecifika kategorier

| | |
|-----------------------------|-----------------|
| ZLDV_Order reference [AGGR] | LPPAR16D8036 8W |
|-----------------------------|-----------------|

Environmental information

| Information according Art. 33 of EU Regulation (EC) 1907/2006 (REACH) | |
|---|---------------|
| Date of Declaration | 18-04-2022 |
| Primary Article Identifier | 4058075095441 |
| Declaration No. in SCIP database | In work |

Ecodesign regulation information:

Separate control gear and light sources must be disposed of at certified disposal companies in accordance with Directive 2012/19/EU (WEEE) in the EU and with Waste Electrical and Electronic Equipment (WEEE) Regulations 2013 in the UK. For this purpose, collection points for recycling centres and take-back systems (CRSO) are available from retailers or private disposal companies, which accept separate control gear and light sources free of charge. In this way, raw materials are conserved and materials are recycled.

Referenser / Länkar

För dimmer kompatibilitet se

▶ www.osram.com/DIM

For further products and actual information concerning LED lamps see

▶ www.osram.se/ledlampor

For Guarantee see <https://>

▶ www.inventronics-light.com/multilevel-guarantees

Friskrivningsklausul

Subject to change without notice. Errors and omission excepted. Always make sure to use the most recent release.

OSRAM is distribution partner
of LEDVANCE of LAMPS

OSRAM

OSRAM GmbH
Marcel-Breuer-Strasse 6
80807 Munich, Germany