



# MASTER LED spot ExpertColor AR111



## MAS ExpertColor 10.8-50W 930 AR111 24D

MASTER, LEDspot, AR111, 50 W, G53, 3000 K, 620 lm, CRI 95, 40000 hour(s)

MASTER, LEDspot, AR111, 50 W, G53, 3000 K, 620 lm, CRI 95, 40000 hour(s), 57 lm/W, EEL G, PF 0.7, Beam angle 24 degree(s), RG1, IP20

### Product data

General Information	
Cap-Base	G53
Nominal lifetime	40,000 hour(s)
Switching Cycle	50,000
Lighting Technology	LEDspot
Flux measurement reference	Narrow Cone
Warranty period	5 years
Light Technical	
Color Code	930 [CCT of 3000K]
Beam Angle (Nom)	24 degree(s)
Luminous Flux	620 lm
Luminous Intensity (Nom)	3,200 cd
Color Designation	White (WH)
Correlated Color Temperature (Nom)	3000 K
Luminous Efficacy (rated) (Nom)	57 lm/W
Color Consistency	<4
Color rendering index (CRI)	95
LLMF At End Of Nominal Lifetime (Nom)	70 %

Luminous Flux in 90° Cone (Rated)	620 lm
Photobiological safety according to EN 62471	RG1
Operating and Electrical	
Line Frequency	50 to 60 Hz
Input Frequency	50 to 60 Hz
Power Consumption	10.8 W
Lamp Current (Nom)	1,000 mA
Wattage Equivalent	50 W
Starting Time (Nom)	0.5 s
Warm-up time to 60% light	0.5 s
Power Factor (Fraction)	0.7
Voltage (Nom)	ac electronic 12 V
Temperature	
T-Case Maximum (Nom)	70 °C

# MASTER LED spot ExpertColor AR111

## Controls and Dimming

Dimmable	Only with specific dimmers
----------	----------------------------

## Mechanical and Housing

Bulb Finish	Clear
Bulb Shape	AR111
Net Weight (Piece)	0.160 kg

## Approval and Application

Energy Efficiency Class	G
Suitable For Accent Lighting	Yes
Energy Consumption kWh/1000 h	11 kWh
EPREL Registration Number	648247
CE mark	Yes
EU RoHS compliant	Yes
EyeComfort	Yes
Ambient temperature range	-20 to +45 °C

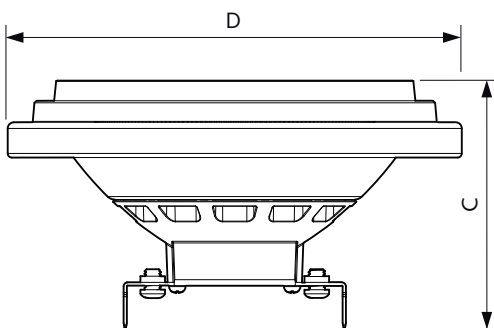
## Application Conditions

can it be used in closed luminaires	No
Wireless Technology	Not applicable

## Product Data

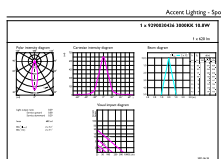
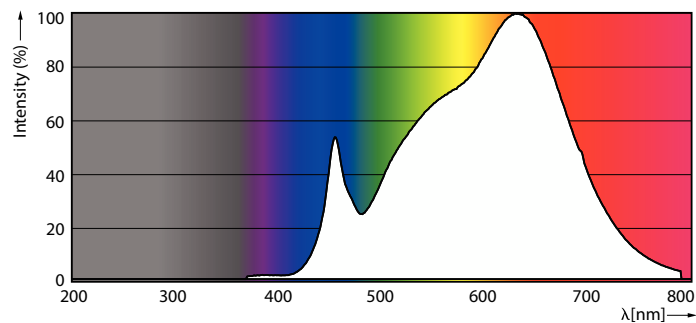
Order product name	MAS ExpertColor 10.8-50W 930 AR111 24D
Full product name	MAS ExpertColor 10.8-50W 930 AR111 24D
Full product code	871951433399400
Order code	929003043602
Material Nr. (12NC)	929003043602
Numerator - Quantity Per Pack	1
EAN/UPC - Product/Case	8719514333994
Numerator - Packs per outer box	6
EAN/UPC - Case	8719514334007

## Dimensional drawing



Product	D	C
MAS ExpertColor 10.8-50W 930 AR111 24D	111 mm	61 mm

## Photometric data

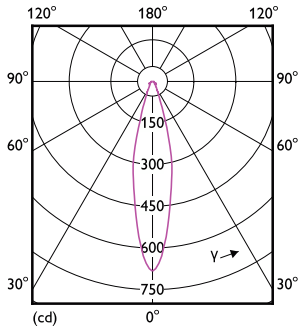


Spectral Power Distribution Colour - MAS ExpertColor 10.8-50W 930 AR111 24D

Accent Lighting Spots - MAS ExpertColor 10.8-50W 930 AR111 24D

# MASTER LED spot ExpertColor AR111

## Photometric data



Light Distribution Diagram - MAS ExpertColor 10.8-50W 930 AR111 24D

## Lifetime



Life Expectancy Diagram



Lumen Maintenance Diagram - MAS ExpertColor 10.8-50W 930 AR111 24D

