

PRODUCT DATASHEET

SMART+ OUTDOOR LANTERN Wall RGBW

SMART+ Outdoor Lantern Modern Wall Multicolour | Outdoor LED lantern with ZigBee technology, light color and color temperature adjustable



AREAS OF APPLICATION

- Outdoor

PRODUCT BENEFITS

- Colorful garden lighting with smart and intelligent control options
- Uses multi color and cold or warm white light for most flexible lighting scenes
- Combines the functionality of general lighting and mood lighting
- Easy to install and use

PRODUCT FEATURES

- Available also as bollard luminaires
- RGB color control, approx. 16 million color options adjustable
- Adjustable color temperature via Tunable White: 2,700...6,500 K
- Dimmable
- Diffuser made of transparent polycarbonate
- Type of protection: IP44
- Network protocol: ZigBee LL 2.0
- Lifetime: up to 20,000 h



- Controllable via compatible smart home system (gateway and app) or SMART+ Switch
- For full functionality connection to a compatible smart home System (gateway and app) required

TECHNICAL DATA

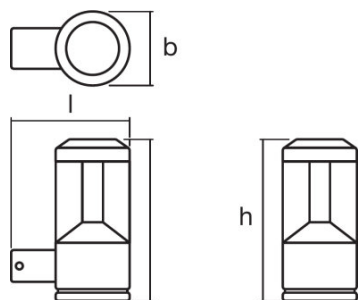
Electrical data

Nominal wattage	12.00 W
Nominal voltage	220...240 V
Mains frequency	50/60 Hz

Photometrical data

Color rendering index Ra	80
Luminous flux	650 lm

Dimensions & weight



Product weight	1230.00 g
Length	176.0 mm
Width	110.0 mm
Height	240.0 mm

Colors & materials

Product color	Dark gray
Body material	Aluminum

Additional product data

Product remark	Reset settings to default by switching the product on for five seconds and off for five seconds and repeating this five times.
-----------------------	--

Capabilities

Dimmable	Yes
Type of connection	Plug, EU

Compatible smart home technology	ZigBee
LED module replaceable	Not replaceable

Certificates & standards

Standards	CE
Protection class	II
Type of protection	IP44
EEL of included LED module	A

EQUIPMENT / ACCESSORIES

- Control via app requires LIGHTIFY system (app and gateway) or other compatible Smart home system

LOGISTICAL DATA

Product code	Product description	Packaging unit (Pieces/Unit)	Dimensions (length x width x height)	Volume	Gross weight
4058075816718	SMART+ OUTDOOR LANTERN Wall RGBW	Shipping carton box 4	420 mm x 280 mm x 306 mm	35.99 dm ³	6607.00 g

The mentioned product code describes the smallest quantity unit which can be ordered. One shipping unit can contain one or more single products. When placing an order, for the quantity please enter single or multiples of a shipping unit.

DISCLAIMER

Subject to change without notice. Errors and omission excepted. Always make sure to use the most recent release.