



# MASTER LEDspot LV AR111

## MAS LEDspotLV D 20-100W 840 AR111 40D

With its new perfect-fit design, the Master LEDspot LV AR111 now works with most of G53 luminaires as a true retrofit solution. The lamp creates a brilliant visual effect for retail and hospitality applications such as shops, showrooms and galleries. The high quality light brings out the true colors in merchandise and emphasizes its beauty. It also lasts long, with a strong lumen and color maintenance. The beautifully designed lamp offers a well-defined beam with a multitude of beam angles to suit various applications. Not only does it employ the Philips patented solution to ensure it is compatible with a broad selection of standard 12V halogen electronic transformers, it also delivers high beam intensity which equivalent to halogen AR111 spots of 50W, 75W or 100W.

### Product data

General Information	
Cap-Base	G53 [ G53]
EU RoHS compliant	Yes
Nominal Lifetime (Nom)	25000 h
Switching Cycle	50000X
Technical Type	20-100W
Light Technical	
Color Code	840 [ CCT of 4000K]
Beam Angle (Nom)	40 °
Luminous Flux (Nom)	1250 lm
Luminous Intensity (Nom)	2400 cd
Color Designation	Cool White (CW)
Correlated Color Temperature (Nom)	4000 K
Luminous Efficacy (rated) (Nom)	62.50 lm/W

Color Consistency	<3
Color Rendering Index (Nom)	80
LLMF At End Of Nominal Lifetime (Nom)	70 %
Luminous Flux in 90° Cone (Rated)	1250 lm
Operating and Electrical	
Input Frequency	- Hz
Power (Nom)	20 W
Lamp Current (Nom)	2400 mA
Wattage Equivalent	100 W
Starting Time (Nom)	0.5 s
Warm Up Time to 60% Light (Nom)	0.5 s
Power Factor (Nom)	0.7
Voltage (Nom)	12 V

# MASTER LEDspot LV AR111

## Temperature

T-Case Maximum (Nom)	80 °C
----------------------	-------

## Controls and Dimming

Dimmable	Yes
----------	-----

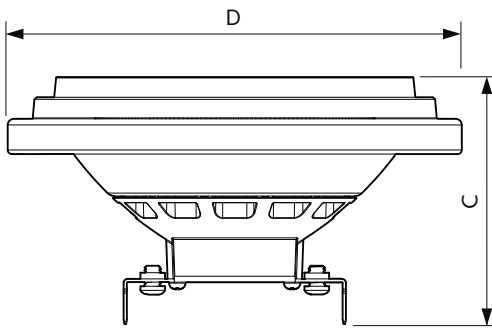
## Approval and Application

Energy Efficiency Label (EEL)	A
Suitable For Accent Lighting	Yes
Energy Consumption kWh/1000 h	22 kWh

## Product Data

Full product code	871869672534400
Order product name	MAS LEDspotLV D 20-100W 840 AR111 40D
EAN/UPC - Product	8718696725344
Order code	929001171302
Numerator - Quantity Per Pack	1
Numerator - Packs per outer box	6
Material Nr. (12NC)	929001171302
Net Weight (Piece)	0.160 kg

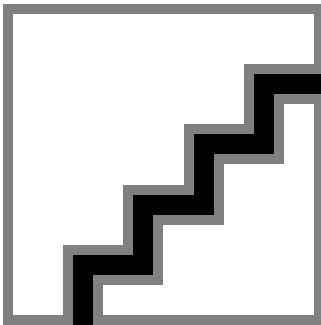
## Dimensional drawing



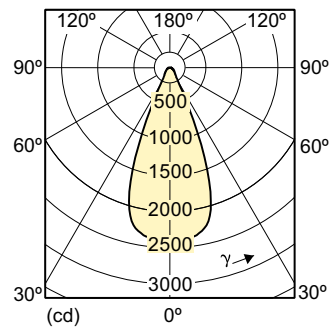
LED D 20-100W 840 AR111 40D

Product	D	C
MAS LEDspotLV D 20-100W 840 AR111 40D	111 mm	62 mm

## Photometric data

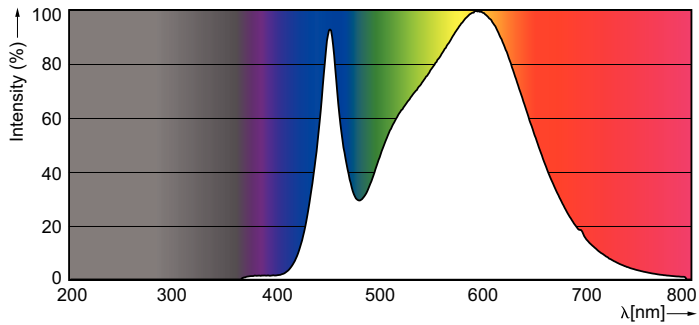


MASTER LEDspot LV AR111 100W G53 840 40D

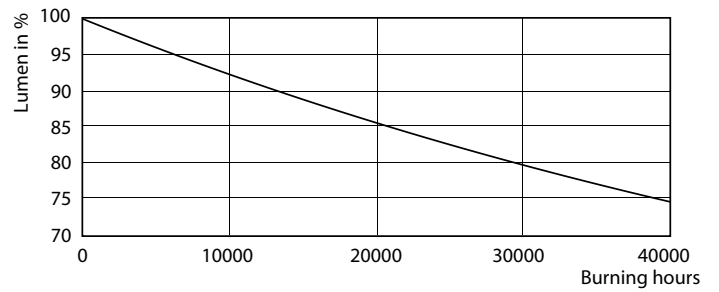
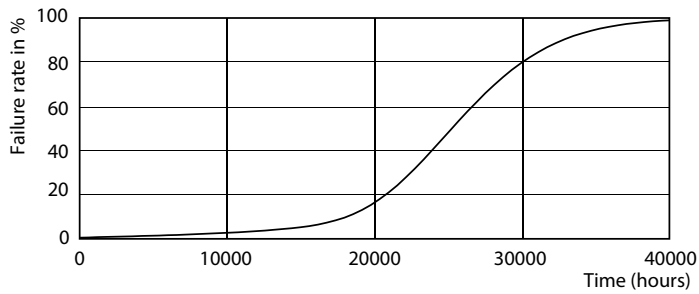


# MASTER LEDspot LV AR111

## Photometric data



## Lifetime



MASTER LEDspotLV AR111 100W G53 40D

MASTER LEDspotLV AR111 100W G53 40D

