



MASTER LEDspot LV AR111

MAS LEDspotLV D 15-75W 827 AR111 40D

With its new perfect-fit design, the Master LEDspot LV AR111 now works with most of G53 luminaires as a true retrofit solution. The lamp creates a brilliant visual effect for retail and hospitality applications such as shops, showrooms and galleries. The high quality light brings out the true colors in merchandise and emphasizes its beauty. It also lasts long, with a strong lumen and color maintenance. The beautifully designed lamp offers a well-defined beam with a multitude of beam angles to suit various applications. Not only does it employ the Philips patented solution to ensure it is compatible with a broad selection of standard 12V halogen electronic transformers, it also delivers high beam intensity which equivalent to halogen AR111 spots of 50W, 75W or 100W.

Product data

General Information	
Cap-Base	G53 [G53]
Nominal Lifetime (Nom)	40000 h
Switching Cycle	50000X
Technical Type	15-75W
Light Technical	
Color Code	827 [CCT of 2700K]
Beam Angle (Nom)	40 °
Luminous Flux (Nom)	760 lm
Luminous Flux (Rated) (Nom)	760 lm
Luminous Intensity (Nom)	1660 cd
Color Designation	Warm White (WW)
Rated Beam Angle	40 °
Correlated Color Temperature (Nom)	2700 K

Luminous Efficacy (rated) (Nom)	50.67 lm/W
Color Consistency	<6
Color Rendering Index (Nom)	80
LLMF At End Of Nominal Lifetime (Nom)	70 %
Luminous Flux in 90° Cone (Rated)	760 lm
Operating and Electrical	
Input Frequency	50 to 60 Hz
Power (Rated) (Nom)	15 W
Lamp Current (Nom)	1600 mA
Starting Time (Nom)	1 s
Warm Up Time to 60% Light (Nom)	instant full light
Power Factor (Nom)	0.5
Voltage (Nom)	12 V

MASTER LEDspot LV AR111

Controls and Dimming

Dimmable	Yes
----------	-----

Approval and Application

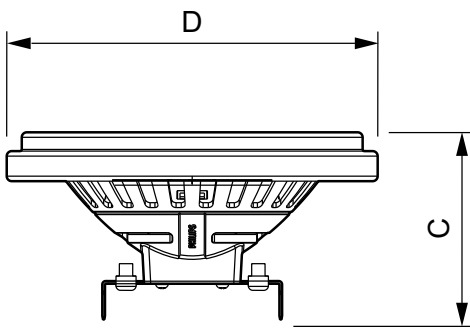
Energy Efficiency Label (EEL)	A
Suitable For Accent Lighting	Yes
Energy Consumption kWh/1000 h	16 kWh

Product Data

Full product code	871829171858100
-------------------	-----------------

Order product name	MAS LEDspotLV D 15-75W 827 AR111 40D
EAN/UPC - Product	8718291718581
Order code	929000261202
Numerator - Quantity Per Pack	1
Numerator - Packs per outer box	6
Material Nr. (12NC)	929000261202
Net Weight (Piece)	0.120 kg

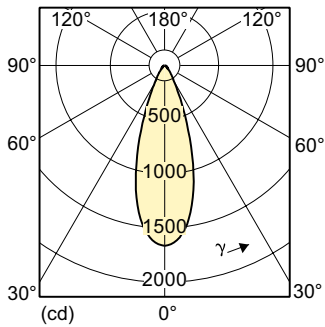
Dimensional drawing



LED D 15-75W 827 AR111 40D

Product	D	C
MAS LEDspotLV D 15-75W 827 AR111 40D	111 mm	56 mm

Photometric data



15-75W AR111 827 2700K 40D

MASTER LEDspot LV AR111

