



MASTER VALUE LEDs pot LV

MASTER LED spot VLE D 5.5-35W MR16 827 60D

Philips MASTER VALUE MR16 is the series of Low Voltage (12 VAC) Halogen MR16 replacements. Not only does it employ Philips' patented solution to guarantee the broadest possible compatibility with standard 12 V Halogen electronic transformers, it also delivers beam intensity which is equivalent to the 50 W Philips Halogen MR16 lamps. The form-factor of Philips MASTER Value LED MR16 guarantees a 100% form on the back-side of the lamp (exact fit with Halogen lamps.)

Warnings and Safety

- Operating temperature range is between -20° C and 45° C ambient
- Only to apply in dry or damp locations and most of open fixtures with lamp-holders that offer sufficient space (10 mm free air space)
- Not intended for use with emergency light fixtures or exit lights

Product data

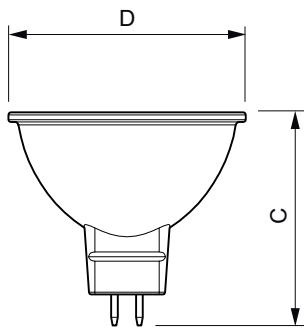
General Information		Operating and Electrical	
Cap base	GU5.3 [GU5.3]	Correlated Colour Temperature	2700 K
Nominal lifetime	25,000 h	Luminous efficacy (rated) (nom.)	81.82 lm/W
Switching Cycle	50,000	Colour consistency	<6
Lighting Technology	LED	Colour rendering index (CRI)	80
EU RoHS compliant	Yes	LLMF at end of nominal lifetime (nom.)	70 %
		Luminous flux in 90° cone (rated)	450 lm
Light Technical			
Colour Code	827 [CCT of 2700K]	Line Frequency	- Hz
Beam angle (nom.)	60 degree(s)	Input frequency	- Hz
Luminous Flux	450 lm	Power Consumption	5.5 W
Luminous intensity (nom.)	500 cd	Lamp current (nom.)	630 mA
Colour designation	Warm White (WW)	Wattage equivalent	35 W

MASTER VALUE LEDspot LV

Starting time (nom.)	0.5 s
Warm-up time to 60% light	0.5 s
Power Factor (Fraction)	0.8
Voltage (nom.)	ac Electronic 12 V
Temperature	
T-Case maximum (nom.)	95 °C
Controls and Dimming	
Dimmable	Yes
Mechanical and Housing	
Bulb shape	MR16 [2 inch/50 mm]
Approval and Application	
Suitable for accent lighting	Yes

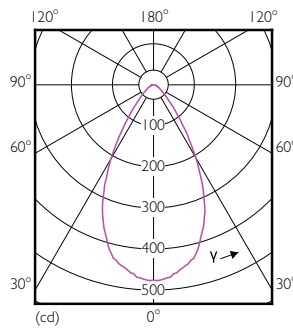
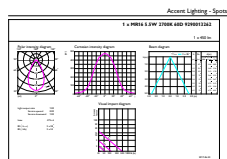
Energy consumption kWh/1,000 hours	7 kWh
EyeComfort	Yes
Product Data	
Order product name	MAS LED spot VLE D 5.5-35W MR16 827 60D
Full product name	MASTER LED spot VLE D 5.5-35W MR16 827 60D
Full EOC	871869670829300
Order code	70829300
Material no. (12 NC)	929001326202
SAP numerator – quantity per pack	1
EAN/UPC – Product/Case	8718696708293
Numerator – packs per outer box	10
EAN/UPC - Case	8718696708309

Dimensional drawing



Product	D	C
MAS LED spot VLE D 5.5-35W MR16 827 60D	50.5 mm	45 mm

Photometric data

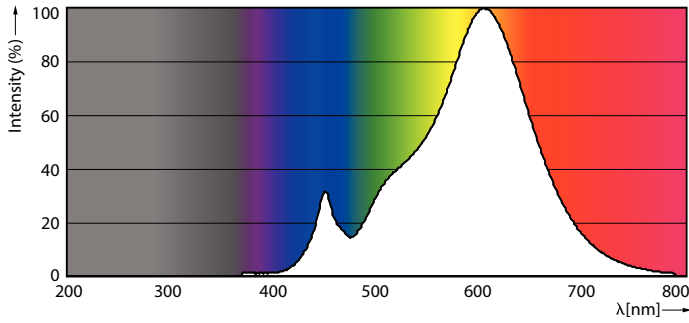


Accent Lighting Spots - MAS LED spot VLE D 5.5-35W MR16 827 60D

Light Distribution Diagram - MAS LED spot VLE D 5.5-35W MR16 827 60D

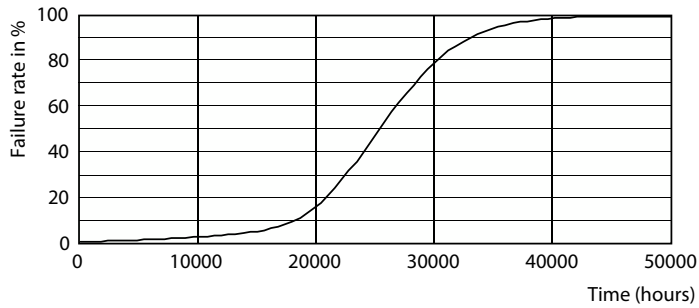
MASTER VALUE LEDspot LV

Photometric data

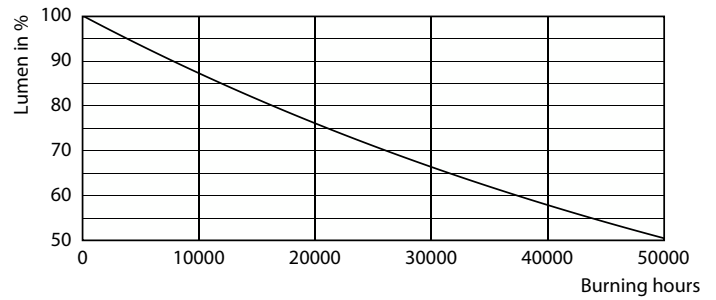


Spectral Power Distribution Colour - MAS LED spot VLE D 5.5-35W MR16 827 60D

Lifetime



Life Expectancy Diagram - MAS LED spot VLE D 5.5-35W MR16 827 60D



Lumen Maintenance Diagram - MAS LED spot VLE D 5.5-35W MR16 827 60D

