



CorePro LEDspot LV



CorePro LEDspot 5-35W MR16 827 36D 5CT

CorePro LEDspots are a perfect fit for spot lighting and deliver warm halogen-like light. They are compatible with most existing fixtures with MR16 GU5.3 holders and are designed as a retrofit replacement for halogen or incandescent spots. CorePro LEDspots deliver huge energy savings and minimize maintenance cost.

Product data

General Information	
Cap-Base	GU5.3 [GU5.3]
Nominal lifetime	15,000 hour(s)
Switching Cycle	50,000
Lighting Technology	LED
Flux measurement reference	Narrow Cone
EU RoHS compliant	Yes
Light Technical	
Color Code	827 [CCT of 2700K]
Beam Angle (Nom)	36 degree(s)
Luminous Flux	345 lm
Luminous Intensity (Nom)	650 cd
Color Designation	Warm White (WW)
Correlated Color Temperature (Nom)	2700 K
Luminous Efficacy (rated) (Nom)	69.00 lm/W
Color Consistency	<6
Color rendering index (CRI)	80
LLMF At End Of Nominal Lifetime (Nom)	70 %
Luminous Flux in 90° Cone (Rated)	345 lm
Operating and Electrical	
Line Frequency	- Hz

Input Frequency	- Hz
Power Consumption	5 W
Lamp Current (Nom)	575 mA
Wattage Equivalent	35 W
Starting Time (Nom)	0.5 s
Warm-up time to 60% light	0.5 s
Power Factor (Fraction)	0.6
Voltage (Nom)	ac electronic 12 V

Temperature	
T-Case Maximum (Nom)	82 °C

Controls and Dimming	
Dimmable	No

Mechanical and Housing	
Bulb Shape	MR16 [2inch/50mm]

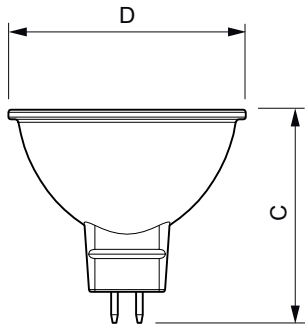
Approval and Application	
Energy Efficiency Class	G
Suitable For Accent Lighting	Yes
Energy Consumption kWh/1000 h	5 kWh

CorePro LEDspot LV

EPREL Registration Number	391849
Product Data	
Order product name	CorePro LEDspot 5-35W MR16 827 36D 5CT
Full product name	CorePro LEDspot 5-35W MR16 827 36D 5CT
Full product code	871869970031700
Order code	929001344352

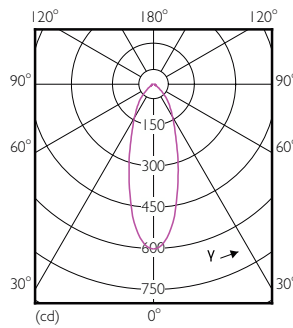
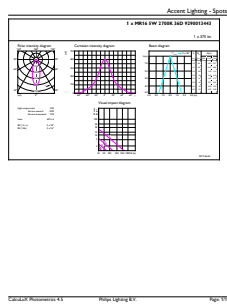
Material Nr. (12NC)	929001344352
Numerator - Quantity Per Pack	1
EAN/UPC - Product/Case	8718699700317
Numerator - Packs per outer box	6
EAN/UPC - Case	8718699700324

Dimensional drawing



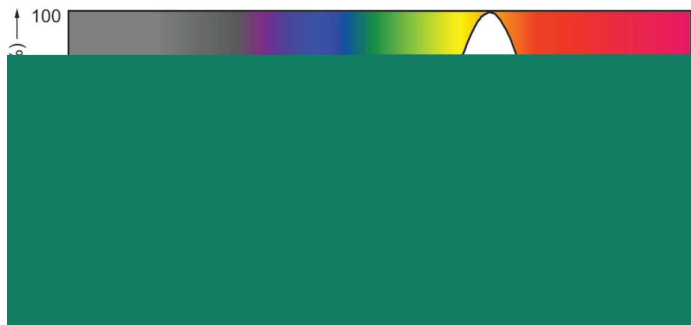
Product	D	C
CorePro LEDspot 5-35W MR16 827 36D 5CT	51 mm	46 mm

Photometric data



Accent Lighting Spots - CorePro LEDspot 5-35W MR16 827 36D 5CT

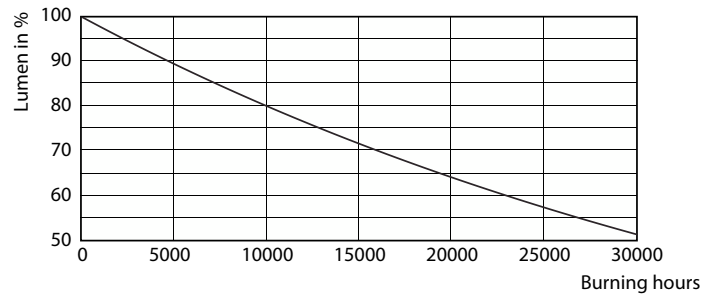
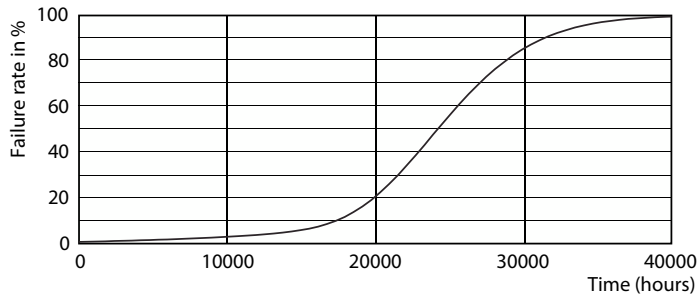
Light Distribution Diagram - CorePro LEDspot 5-35W MR16 827 36D 5CT



Spectral Power Distribution Colour - CorePro LEDspot 5-35W MR16 827 36D 5CT

CorePro LEDspot LV

Lifetime



Life Expectancy Diagram - CorePro LEDspot 5-35W MR16 827 36D 5CT

Lumen Maintenance Diagram - CorePro LEDspot 5-35W MR16 827 36D 5CT

