



# MASTER LEDspot MV

MASTER LEDspotMV D 4-35W GU10 840 40D

Delivering a warm, halogen-like accent beam, MASTER LEDspot MV is a perfect fit for spot lighting (track, corridors, lift lobbies, display cases and cabinets) in the hospitality industry. It is particularly suitable to public areas where the light is on 24/7, such as lobbies, corridors, stairwells. MASTER LEDspot MV delivers huge energy savings and minimizes maintenance cost without any compromise on brightness, enabling hospitality owners to achieve a return on their investment within one year. These LEDspots are compatible with most existing fixtures with a GU10 holder and designed as a retrofit replacement for halogen or incandescent spots. The dimmable versions drive further efficiencies, while helping to create the desired atmosphere.

## Product data

### • General Characteristics

Cap-Base	GU10
Bulb	PAR16 [PAR 2inch]
Rated Lifetime (hours)	40000 hr
Nominal Lifetime hours	40000 hr

### • Light Technical Characteristics

Color Code	840
Color Designation (text)	Cool White
Beam Angle	40 D
Correlated Color Temperature	4000 K
Luminous Flux	280 Lm
Luminous Intensity	600 cd
Color rendering index	80
Luminous Efficacy Lamp	70.00 Lm/W
Color Temperature	4000 K [CCT 4000K]
Rated Luminous Flux	280 Lm
LLMF - end nominal lifetime	70 %
Colour consistency	6 steps
Rated Beam Angle	40 D
Luminous flux in 90° cone	260 Lm

### • Electrical Characteristics

Wattage	4 W
Wattage Technical	4 W
Voltage	220-240 V
Line Frequency	50-60 Hz

Power Factor	0.6 -
Lamp Current mA	28 mA
Dimmable	Yes
Wattage Equivalent	35 W
Rated Wattage	4.0 W
Starting Time	0.1 (max) s
Warm-up Time to 60% Light Outp	instant full light
Suitable for accent lighting	Yes

### • Temperature Characteristics

T-case maximum	95 C
----------------	------

### • Environmental characteristics

Energy Efficiency Label (EEL)	A+
-------------------------------	----

### • Measuring Conditions

Switching cycle	50000X
-----------------	--------

### • Product Dimensions

Overall Length C	55 mm
Diameter D	50 mm

### • Product Data

Order code	929000256502
Full product code	929000256502
Full product name	MASTER LEDspotMV D 4-35W GU10 840 40D
Order product name	MAS LEDspotMV D 4-35W GU10 840 40D



# PHILIPS

# MASTER LEDspot MV

Pieces per pack 1  
Packing configuration 10  
Packs per outerbox 10  
Bar code on pack - EAN1 8718291697121

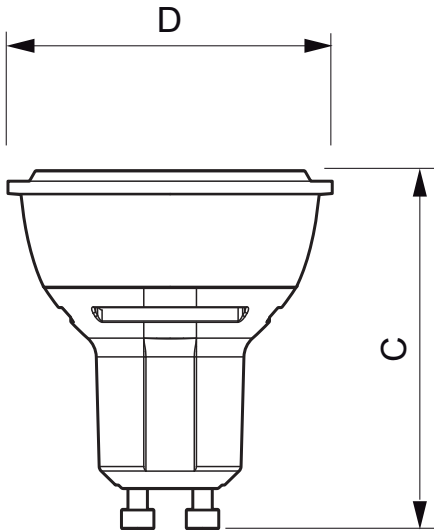
Bar code on outerbox - EAN3 8718291697138  
Logistic code(s) - 12NC 929000256502  
Net weight per piece 0.038 kg

## Warnings and Safety

- Operating temperature range is between -20° C and 45° C ambient

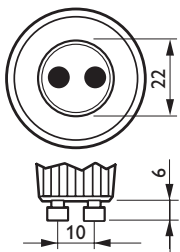
- Only to apply in dry or damp locations and most of open fixtures with lamp-holders that offer sufficient space (10 mm free air space)
- Not intended for use with emergency light fixtures or exit lights

## Dimensional drawing



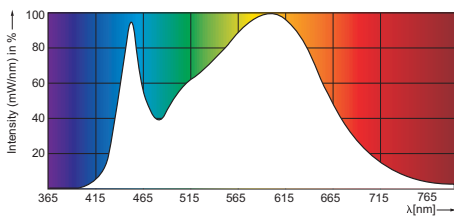
### MASTER LEDspotMV D 4-35W GU10 840 40D

Product	C (Norm)	C1 (Max)	D (Norm)	D1 (Norm)
LED D 4-35W GU10 840 40D	55	-	50	-



GU10

## Photometric data



4-35W GU10 /840



© 2014 Koninklijke Philips N.V. (Royal Philips)  
All rights reserved.

Specifications are subject to change without notice. Trademarks are the property of Koninklijke Philips N.V. (Royal Philips) or their respective owners.

[www.philips.com/lighting](http://www.philips.com/lighting)

2014, September 4  
data subject to change