



MASTER LEDspot MV

MASTER LEDspotMV D 4-35W GU10 827 25D

Delivering a warm, halogen-like accent beam, MASTER LEDspot MV is a perfect fit for spot lighting (track, corridors, lift lobbies, display cases and cabinets) in the hospitality industry. It is particularly suitable to public areas where the light is on 24/7, such as lobbies, corridors, stairwells. MASTER LEDspot MV delivers huge energy savings and minimizes maintenance cost without any compromise on brightness, enabling hospitality owners to achieve a return on their investment within one year. These LEDspots are compatible with most existing fixtures with a GU10 holder and designed as a retrofit replacement for halogen or incandescent spots. The dimmable versions drive further efficiencies, while helping to create the desired atmosphere.

Product data

• General Characteristics

Cap-Base	GU10
Bulb	PAR16 [PAR 2inch]
Rated Lifetime (hours)	40000 hr
Nominal Lifetime hours	40000 hr

• Light Technical Characteristics

Color Code	827
Color Designation (text)	Warm White
Beam Angle	25 D
Correlated Color Temperature	2700 K
Luminous Flux	255 Lm
Luminous Intensity	900 cd
Color rendering index	80
Luminous Efficacy Lamp	68.75 Lm/W
Color Temperature	2700 K [CCT 2700K]
Rated Luminous Flux	255 Lm
LLMF - end nominal lifetime	70 %
Colour consistency	6 steps
Rated Beam Angle	25 D
Luminous flux in 90° cone	235 Lm

• Electrical Characteristics

Wattage	4 W
Wattage Technical	4 W
Voltage	220-240 V
Line Frequency	50-60 Hz

Power Factor	0.6 -
Lamp Current mA	28 mA
Dimmable	Yes
Wattage Equivalent	35 W
Rated Wattage	4.0 W
Starting Time	0.1 (max) s
Warm-up Time to 60% Light Outp	instant full light
Suitable for accent lighting	Yes

• Temperature Characteristics

T-case maximum	85 C
----------------	------

• Environmental characteristics

Energy Efficiency Label (EEL)	A+
Energy consumption kWh/1000h	4 kWh

• Measuring Conditions

Switching cycle	50000X
-----------------	--------

• Product Dimensions

Overall Length C	55 mm
Diameter D	50 mm

• Product Data

Order code	929000256002
Full product code	929000256002
Full product name	MASTER LEDspotMV D 4-35W GU10 827 25D



PHILIPS

MASTER LEDspot MV

Order product name MAS LEDspotMV D 4-35W GU10
827 25D
Pieces per pack 1
Packing configuration 10
Packs per outerbox 10
Bar code on pack - EAN1 8718291697022

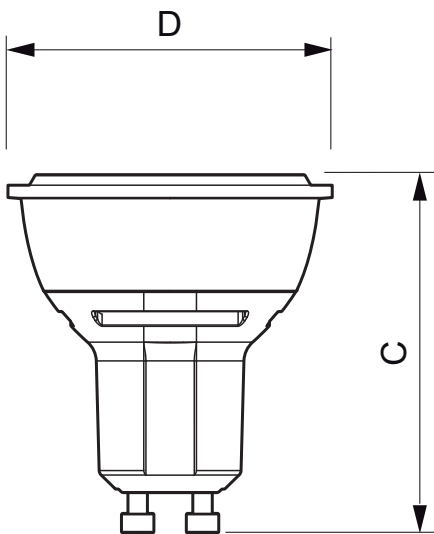
Bar code on outerbox - EAN3 8718291697039
Logistic code(s) - 12NC 929000256002
Net weight per piece 0.038 kg

Warnings and Safety

- Operating temperature range is between -20° C and 45° C ambient

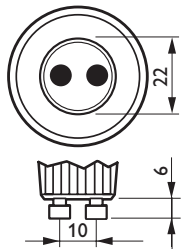
- Only to apply in dry or damp locations and most of open fixtures with lamp-holders that offer sufficient space (10 mm free air space)
- Not intended for use with emergency light fixtures or exit lights

Dimensional drawing



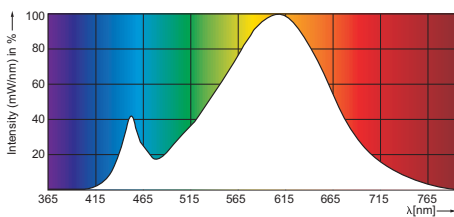
MASTER LEDspotMV D 4-35W GU10 827 25D

Product	C (Norm)	C1 (Max)	D (Norm)	D1 (Norm)
LED D 4-35W GU10 827 25D	55	-	50	-



GU10

Photometric data



4-35W GU10 /827



© 2014 Koninklijke Philips N.V. (Royal Philips)
All rights reserved.

Specifications are subject to change without notice. Trademarks are the property of Koninklijke Philips N.V. (Royal Philips) or their respective owners.

www.philips.com/lighting

2014, November 18
data subject to change