



CorePro LEDlamps

CorePro LEDspotMV 4-35W GU10 827 36D

Delivering a warm, halogen-like accent beam, LEDspots are a perfect fit for spot lighting and have a broad compatibility with transformers. LEDspots are compatible with most existing fixtures with a GU10 / MR16 GU5.3 / E14 holder and are designed as a retrofit replacement for halogen or incandescent spots. LEDbulbs are compatible with existing fixtures with an E27 holder and are designed for retrofit replacement of incandescent bulbs. LEDcandle and LEDluster are compatible with existing fixtures with an E27/E14 holder and are designed for retrofit replacement of incandescent lamps. LEDlamps deliver huge energy savings and minimize maintenance cost

Product data

• General Characteristics

Cap-Base	GU10
Bulb	PAR16 [PAR 2inch]
Rated Lifetime (hours)	25000 hr
Rated Lifetime (years)	15 an
Nominal Lifetime hours	25000 hr

• Light Technical Characteristics

Colour Code	827
Colour Designation	Warm White
Beam Angle	36 D
Correlated Colour Temperature	2700 K
Luminous Flux	235 Lm
Luminous Intensity	560 cd
Colour rendering index	80
Luminous Efficacy Lamp	58.75 Lm/W
Colour Temperature	2700 K [CCT 2700K]
Rated Luminous Flux	235 Lm
LLMF - end nominal lifetime	70 %
Colour consistency	6 steps
Rated Beam Angle	36 D
Luminous flux in 90° cone	235 Lm

• Electrical Characteristics

Wattage	4 W
Wattage Technical	4 W
Voltage	220-240 V

Line Frequency	50 Hz
Power Factor	0.4 -
Lamp Current mA	35 mA
Dimmable	No
Wattage Equivalent	35 W
Rated Wattage	4.0 W
Starting Time	0.1 (max) s
Warm-up Time to 60% Light Outp	instant full light
Suitable for accent lighting	Yes

• Temperature Characteristics

T-case maximum	85 C
----------------	------

• Environmental characteristics

Energy Efficiency Label (EEL)	A+
-------------------------------	----

• Measuring Conditions

Switching cycle	50000x
-----------------	--------

• Product Dimensions

Overall Length C	55 mm
Diameter D	50 mm

• Product Data

Order code	670704 00
Full product code	871829167070400
Full product name	CorePro LEDspotMV 4-35W GU10 827 36D



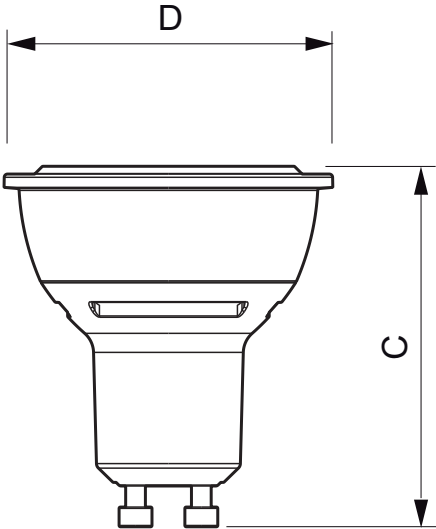
PHILIPS

CorePro LEDlamps

Order product name CorePro LEDspotMV 4-35W GU10
 827 36D
 Pieces per pack 1
 Packing configuration 10
 Packs per outerbox 10
 Bar code on pack - EAN1 8718291670704

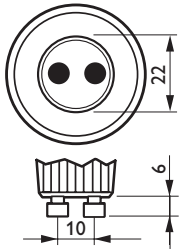
Bar code on outerbox - EAN3 8718291670711
 Logistic code(s) - 12NC 929000246502
 Net weight per piece 0.038 kg

Dimensional drawing



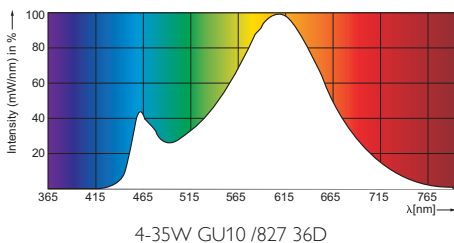
CorePro LEDspotMV 4-35W GU10 827 36D

Product	C (Norm)	C1 (Max)	D (Norm)	D1 (Norm)
LED 4-35W GU10 827 36D	55	-	50	-



GU10

Photometric data



© 2014 Koninklijke Philips N.V. (Royal Philips)
 All rights reserved.

Specifications are subject to change without notice. Trademarks are the property of Koninklijke Philips N.V. (Royal Philips) or their respective owners.

www.philips.com/lighting

2014, February 21
 data subject to change