



MASTER VALUE LEDspot LV

MASTER LEDspotLV D 7-35W 930 MR16 24D

Delivering a warm, halogen-like accent beam, MASTER LEDspot LV is an ideal retrofit solution for spot and general lighting applications in the hospitality industry. It is particularly suited to public areas such as receptions, lobbies, corridors, stairwells and washrooms, where the light is on all the time. The robustly designed MASTER LEDspot offers a choice of beam angles for a clearly defined beam spread. There is no UV or IR in the beam, making it suitable for illuminating heat-sensitive objects (food, organic materials, paintings, etc.). The patented intelligent driver enables broad compatibility with existing electromagnetic and electronic halogen transformers. The dimmable versions drive further efficiencies, while helping to create the desired atmosphere.

Warnings and Safety

- Operating temperature range is between -20° C and 45° C ambient
- Only to apply in dry or damp locations and most of open fixtures with lamp-holders that offer sufficient space (10 mm free air space)
- Not intended for use with emergency light fixtures or exit lights

Product data

General Information		Beam Angle (Nom)	
Cap-Base	GU5.3 [GU5.3]		24 degree(s)
Nominal lifetime	40,000 hour(s)	Luminous Flux	410 lm
Switching Cycle	50,000	Luminous Intensity (Nom)	2,200 cd
Lighting Technology	LED	Color Designation	White (WH)
EU RoHS compliant	Yes	Correlated Color Temperature (Nom)	3000 K
		Luminous Efficacy (rated) (Nom)	58.57 lm/W
		Color Consistency	<6
		Color rendering index (CRI)	90
		LLMF At End Of Nominal Lifetime (Nom)	70 %

MASTER VALUE LEDspot LV

Luminous Flux in 90° Cone (Rated)	410 lm
Operating and Electrical	
Power Consumption	7 W
Lamp Current (Nom)	720 mA
Wattage Equivalent	35 W
Starting Time (Nom)	0.5 s
Warm-up time to 60% light	1 s
Power Factor (Fraction)	0.7
Voltage (Nom)	12 V
Temperature	
T-Case Maximum (Nom)	92 °C
Controls and Dimming	
Dimmable	Yes
Mechanical and Housing	
Bulb Shape	MR16 [2inch/50mm]

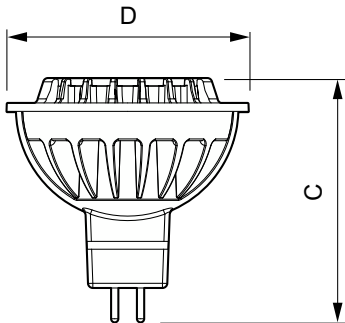
Approval and Application

Energy Saving Product	Yes
Suitable For Accent Lighting	Yes
Energy Consumption kWh/1000 h	8 kWh

Product Data

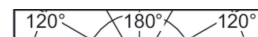
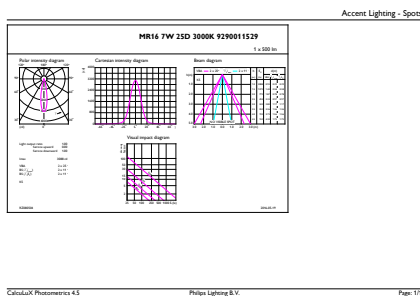
Order product name	MAS LEDspotLV D 7-35W 930 MR16 24D
Full product name	MASTER LEDspotLV D 7-35W 930 MR16 24D
Full product code	871869665929800
Order code	65929800
Material Nr. (12NC)	929001152932
Numerator - Quantity Per Pack	1
EAN/UPC - Product/Case	8718696659298
Numerator - Packs per outer box	10
EAN/UPC - Case	8718696659304

Dimensional drawing



Product	D	C
MAS LEDspotLV D 7-35W 930 MR16 24D	51 mm	51 mm

Photometric data

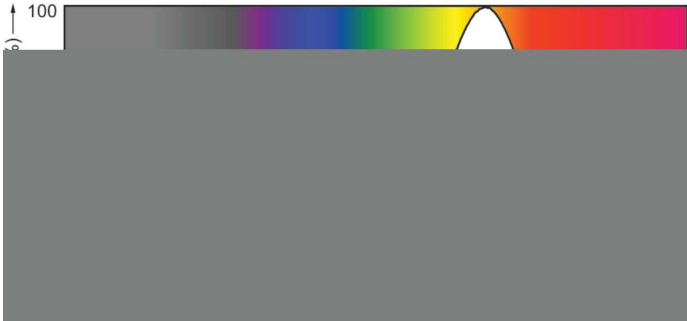


General uniform lighting - MAS LEDspotLV D 7-35W 930 MR16 24D

Light Distribution Diagram - MAS LEDspotLV D 7-35W 930 MR16 24D

MASTER VALUE LEDspot LV

Photometric data



Spectral Power Distribution Colour - MAS LEDspotLV D 7-35W 930 MR16
24D

