



MASTER LEDspot LV

MAS LEDspotLV D 7-35W 927 MR16 36D

Delivering a warm, halogen-like accent beam, MASTER LEDspot LV is an ideal retrofit solution for spot and general lighting applications in the hospitality industry. It is particularly suited to public areas such as receptions, lobbies, corridors, stairwells and washrooms, where the light is on all the time. The robustly designed MASTER LEDspot offers a choice of beam angles for a clearly defined beam spread. There is no UV or IR in the beam, making it suitable for illuminating heat-sensitive objects (food, organic materials, paintings, etc.). The patented intelligent driver enables broad compatibility with existing electromagnetic and electronic halogen transformers. The dimmable versions drive further efficiencies, while helping to create the desired atmosphere.

Product data

General Information		Operating and Electrical	
Cap base	GU5.3 [GU5.3]	Colour consistency	<6
Nominal lifetime (nom.)	40000 h	Color rendering index (nom.)	90
Switching cycle	50000X	LLMF at end of nominal lifetime (nom.)	70 %
Technical type	7-35W	Luminous Flux in 90° Cone (Rated)	400 lm
Light Technical		Temperature	
Colour code	927	Power (Rated) (Nom)	7 W
Beam Angle (Nom)	36°	Lamp current (nom.)	720 mA
Light distribution	36D [Medium beam]	Starting time (nom.)	0.5 s
Luminous flux (nom.)	400 lm	Warm-up time to 60% light (nom.)	1 s
Luminous flux (rated) (nom.)	400 lm	Power factor (nom.)	0.7
Luminous intensity (nom.)	1150 cd	Voltage (Nom)	12 V
Colour designation	Warm White (WW)		
Rated beam angle	36°	T-Case maximum (nom.)	92 °C
Correlated colour temperature (nom.)	2700 K		
Luminous efficacy (rated) (nom.)	57.14 lm/W		

MASTER LEDspot LV

Controls and Dimming

Dimmable	Yes
----------	-----

Approval and Application

Energy efficiency label (EEL)	A
Energy-saving product	Yes
Suitable for accent lighting	Yes
Energy Consumption kWh/1000 h	8 kWh

Product Data

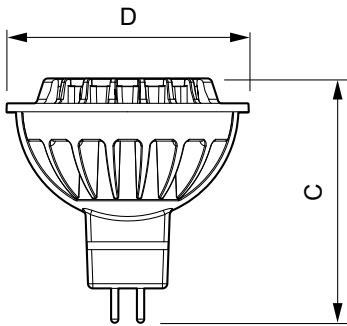
Full product code	871869665925000
-------------------	-----------------

Order product name	MAS LEDspotLV D 7-35W 927 MR16 36D
EAN/UPC – product	8718696659250
Order code	65925000
Numerator – quantity per pack	1
Numerator – packs per outer box	10
Material no. (12NC)	929001153132
Net weight (piece)	0.045 kg

Warnings and Safety

- Operating temperature range is between -20° C and 45° C ambient
- Only to apply in dry or damp locations and most of open fixtures with lamp-holders that offer sufficient space (10 mm free air space)
- Not intended for use with emergency light fixtures or exit lights

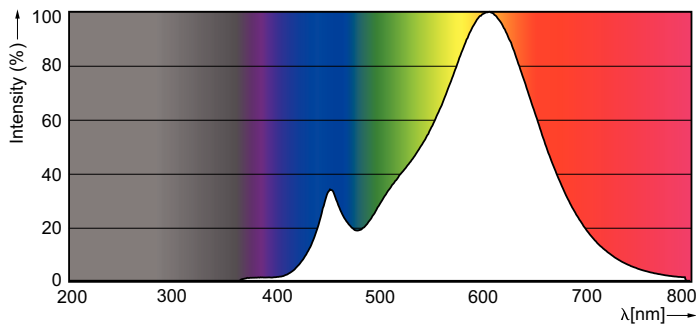
Dimensional drawing



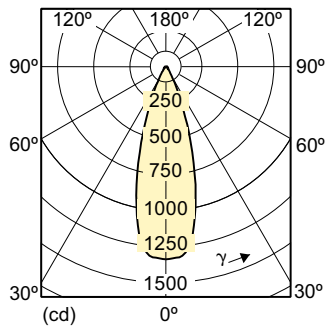
LED D 7-35W 827 MR16 36D

Product	D	C
MAS LEDspotLV D 7-35W 927 MR16 36D	51 mm	51 mm

Photometric data



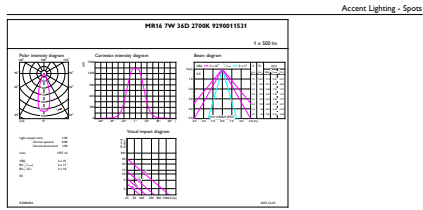
LEDspot 2700K 36D



LEDspot 7-35W MR16 GU5.3 2700K 420lm 36D

MASTER LEDspot LV

Photometric data



LEDspot 7-35W MR16 GU5.3 2700K 420lm 36D

