



GE  
Lighting



## LED Energy Smart™ MR16 Dimmable

@LED7DMR16/827/35

# 65810

---

### Product information

This range provides fantastic energy saving versus halogen offering multiple beam angles and two colour temperatures to suit most professional lighting needs.

---



WORLDWIDE PARTNER

## Product data

Cap/Base	GU5.3
Bulb Shape	Mirrored reflector
Bulb Finish	Diffuse
Maximum Overall Length [mm]	50
Net weight per piece [g]	58
Gross weight per piece [g]	77
Regulatory comment	Remaining inventory is being sold out
Brand	General Electric (GE)

## Performance data

Colour Rendering Index (CRI) [Ra]	84
Nominal correlated colour temperature (CCT) [K]	2700
Nominal beam angle [°]	35
Nominal center beam candlepower (CBCP) [cd]	1000
Nominal lumens [lm]	370
Rated life L70/B50 [h]	25000
Nominal power [W]	7
Nominal lamp voltage [V]	12

## Electrical data

Nominal lamp power factor	0.7
Lamp Current [A]	0.85
Dimming Capability	Yes

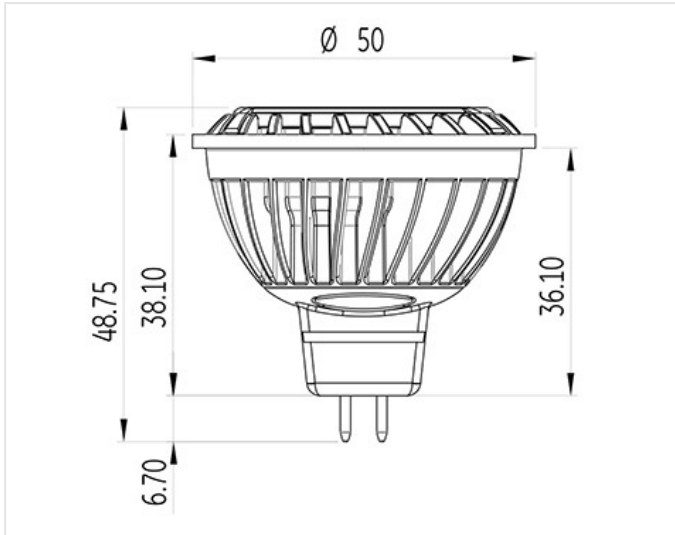
## Logistic data

DUN Code	10043168658109
EAN Code	0043168658102
Pack Quantity	8
Inner pack type	BOX
Outer pack type	OUTER BOX
Layer quantity	240 EUR, 312 UK
Layer quantity EUR	240
Layer quantity UK	312
Pallet quantity EUR (PC)	3120
Pallet quantity UK (PC)	4056
Outer case size	218 x 113 x 68 (mm)
Product status	Marked for phase-out

## Application areas



## Technical drawing



## Downloads & Links

[Go to the catalog site \(HTTP\)](#)

[Photometry \(IES\)](#)

[Dimming compatibility \(HTTP\)](#)

[Transformer compatibility \(HTTP\)](#)

[LED Lighting Solutions - Catalogue \(EN\) \(PDF\)](#)

[MR16 Dimmable 7W Data sheet \(PDF\)](#)

[Lighting design tools & calculators \(HTTP\)](#)

## Photometric Data

