



Other LEDtube

LED 4.5W 500mm S14D WW ND 1CT/4

Philips LEDtube integrates a LED light source into a traditional fluorescent form factor. This product is the ideal solution for uplamping in general lighting applications: it meets basic lighting requirements, offers significant energy savings, and is environmentally friendly.

Product data

General Information	
Cap-Base	S14D [S14d]
EU RoHS compliant	Yes
Nominal Lifetime (Nom)	15000 h
Switching Cycle	50000X
Light Technical	
Colour Code	827 [CCT of 2700K]
Beam Angle (Nom)	140 °
Luminous Flux (Nom)	375 lm
Colour Designation	Warm White (WW)
Colour Temperature, horizontal (Nom)	2700 K
Luminous Efficacy (rated) (Nom)	83.33 lm/W
Color Consistency	<6
Colour Rendering Index horiz (Nom)	83
LLMF At End Of Nominal Lifetime (Nom)	70 %
Operating and Electrical	
Input Frequency	50 to 60 Hz
Power (Rated) (Nom)	4.5 W
Starting Time (Nom)	0.5 s
Warm Up Time to 60% Light (Nom)	0.5 s
Power Factor (Nom)	0.4

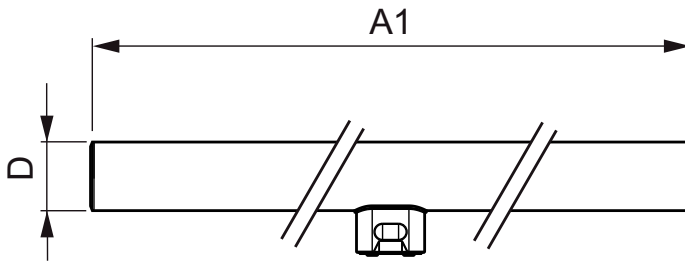
Voltage (Nom)	220-240 V
Temperature	
T-Ambient (Max)	45 °C
T-Ambient (Min)	-20 °C
T-Storage (Max)	65 °C
T-Storage (Min)	-40 °C
T-Case Maximum (Nom)	45 °C
Controls and Dimming	
Dimmable	No
Mechanical and Housing	
Bulb Finish	Frosted
Product Length	500 mm
Bulb Shape	Tube, double-ended
Approval and Application	
Energy Saving Product	Yes
Suitable For Accent Lighting	No
Approval Marks	CE marking RoHS compliance KEMA Keur certificate

Other LEDtube

Energy Consumption kWh/1000 h	5 kWh
Product Data	
Full product code	871869658607500
Order product name	LED 4.5W 500mm S14D WW ND 1CT/4
EAN/UPC - Product	8718696586075
Order code	58607500

Numerator - Quantity Per Pack	1
Numerator - Packs per outer box	4
Material Nr. (12NC)	929001249401
Net Weight (Piece)	0.140 kg

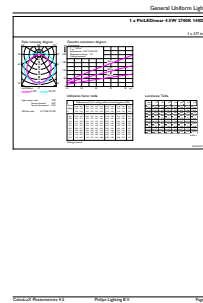
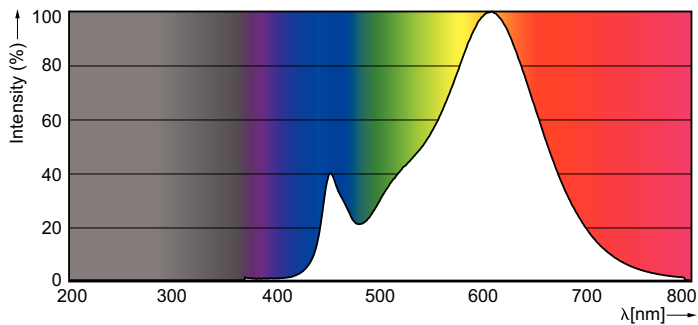
Dimensional drawing



Product	D	A1
LED 4.5W 500mm S14D WW ND 1CT/4	30 mm	466.8 mm

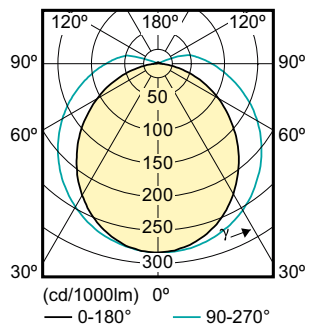
TLED 4.5W-60W 375lm 160D 2700K S14D ND

Photometric data



LEDtube 300mm, 500mm WW

LEDtube 4.5W 500mm WW 375lm



LEDtube 4.5W 500mm WW 375lm

Other LEDtube

