



Classic filament LEDbulbs

CLA LEDLuster ND 2.3-25W E14 WW P45 CL

Featuring a classic heritage design, Classic filament LEDbulbs combine the familiar shapes of classic incandescent bulbs with the benefits of the long lasting LED technology. They deliver beautiful, decorative warm-white light while saving around 90% on energy costs compared with traditional light bulbs.

Product data

General Information	
Cap-Base	E14 [E14]
Nominal Lifetime (Nom)	15000 h
Switching Cycle	20000X
Technical Type	2.3-25W
Light Technical	
Color Code	827 [CCT of 2700K]
Luminous Flux (Nom)	250 lm
Luminous Flux (Rated) (Nom)	250 lm
Color Designation	Warm White (WW)
Correlated Color Temperature (Nom)	2700 K
Luminous Efficacy (rated) (Nom)	110 lm/W
Color Consistency	<6
Color Rendering Index (Nom)	80
LLMF At End Of Nominal Lifetime (Nom)	70 %
Operating and Electrical	
Input Frequency	50 to 60 Hz
Power (Rated) (Nom)	2.3 W

Lamp Current (Nom)	24 mA
Starting Time (Nom)	0.5 s
Warm Up Time to 60% Light (Nom)	instant full light
Power Factor (Nom)	0.5
Voltage (Nom)	220-240 V
Temperature	
T-Case Maximum (Nom)	65 °C
Controls and Dimming	
Dimmable	No
Mechanical and Housing	
Bulb Finish	Clear
Approval and Application	
Energy Efficiency Label (EEL)	A++
Suitable For Accent Lighting	No
Energy Consumption kWh/1000 h	3 kWh

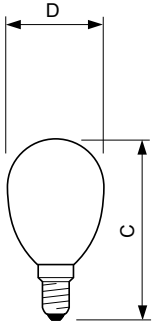
Classic filament LEDbulbs

Product Data

Full product code	871869651771000
Order product name	CLA LEDLuster ND 2.3-25W E14 WW P45 CL
EAN/UPC - Product	8718696517710
Order code	929001180202
Numerator - Quantity Per Pack	1

Numerator - Packs per outer box	10
Material Nr. (12NC)	929001180202
Net Weight (Piece)	0.014 kg

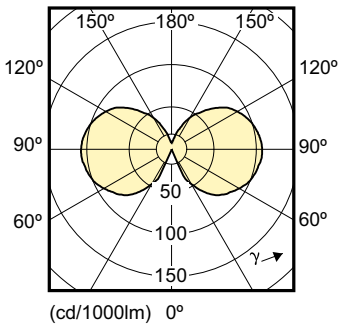
Dimensional drawing



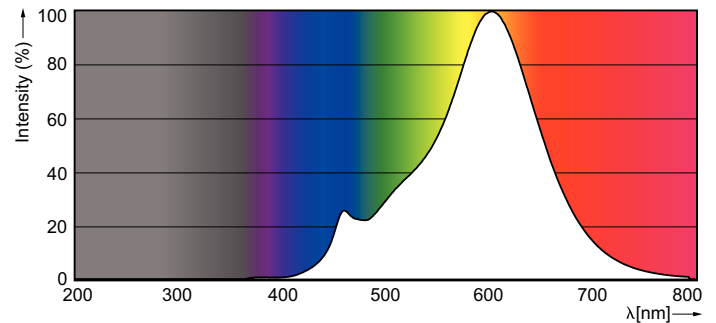
LED 2.3-25W E14 WW P45 CL ND

Product	D	C
CLA LEDLuster ND 2.3-25W E14 WW P45 CL	45 mm	80 mm

Photometric data



ND 2.3-25W E14 P45 /827 CL



2.3-25W E14 P45 /827

