



MASTER VALUE LEDs pot LV

MAS LEDspotLV D 7-35W 827 MR16 60D

Philips MASTER VALUE MR16 is the series of Low Voltage (12VAC) Halogen MR16 replacements. Not only does it employ Philips' patented solution to guarantee the broadest possible compatibility with standard 12V Halogen electronic transformers. It also delivers beam intensity which is equivalent to the 50W Philips Halogen MR16 lamps. The form-factor of Philips MASTER Value LED MR16 guarantees a 100% form on the back-side of the lamp (exact form with Halogen lamps.)

Product data

General Information	
Cap-Base	GU5.3 [GU5.3]
Nominal Lifetime (Nom)	40000 h
Switching Cycle	50000X
Technical Type	7-35W
Light Technical	
Color Code	827 [CCT of 2700K]
Beam Angle (Nom)	60 °
Light Distribution	Wide beam 60°
Luminous Flux (Nom)	420 lm
Luminous Flux (Rated) (Nom)	420 lm
Luminous Intensity (Nom)	440 cd
Color Designation	Warm White (WW)
Rated Beam Angle	60 °
Correlated Color Temperature (Nom)	2700 K
Luminous Efficacy (rated) (Nom)	51 lm/W
Color Consistency	<6
Color Rendering Index (Nom)	80

LLMF At End Of Nominal Lifetime (Nom)	70 %
Luminous Flux in 90° Cone (Rated)	360 lm
Operating and Electrical	
Power (Rated) (Nom)	7 W
Lamp Current (Nom)	720 mA
Starting Time (Nom)	0.5 s
Warm Up Time to 60% Light (Nom)	instant full light
Power Factor (Nom)	0.7
Voltage (Nom)	12 V
Temperature	
T-Case Maximum (Nom)	102 °C
Controls and Dimming	
Dimmable	Yes
Approval and Application	
Energy Efficiency Label (EEL)	A

MASTER VALUE LEDspot LV

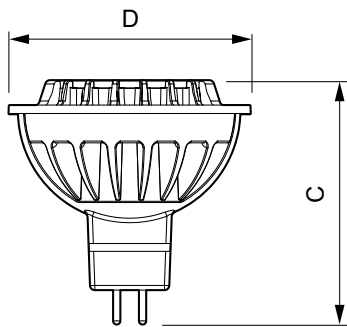
Suitable For Accent Lighting	Yes
Energy Consumption kWh/1000 h	8 kWh
Product Data	
Full product code	871869648945100
Order product name	MAS LEDspotLV D 7-35W 827 MR16 60D
EAN/UPC - Product	8718696489451

Order code	929001153402
Numerator - Quantity Per Pack	1
Numerator - Packs per outer box	10
Material Nr. (12NC)	929001153402
Net Weight (Piece)	0.045 kg

Warnings and Safety

- Operating temperature range is between -20° C and 45° C ambient
- Only to apply in dry or damp locations and most of open fixtures with lamp-holders that offer sufficient space (10 mm free air space)
- Not intended for use with emergency light fixtures or exit lights

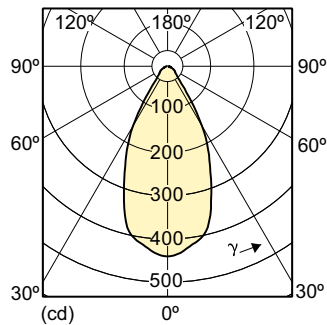
Dimensional drawing



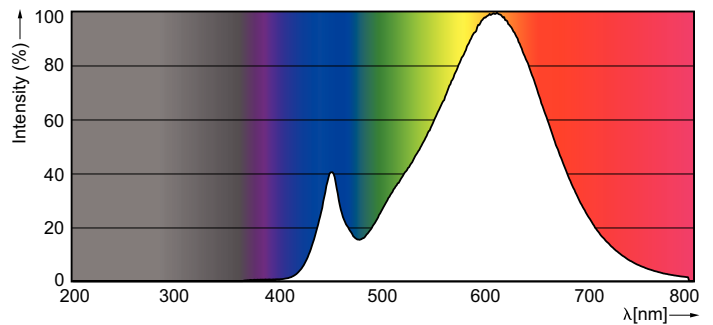
LED D 7-35W 827 MR16 60D

Product	D	C
MAS LEDspotLV D 7-35W 827 MR16 60D	50.5 mm	50.5 mm

Photometric data



7-35 W GU5.3 / 827 MR16 60D



7-35 W GU5.3 / 827 MR16

MASTER VALUE LEDspot LV

Lifetime

