



MASTER VALUE LEDs pot LV

MAS LEDspotLV D 7-35W 830 MR16 24D

Philips MASTER VALUE MR16 is the series of Low Voltage (12VAC) Halogen MR16 replacements. Not only does it employ Philips' patented solution to guarantee the broadest possible compatibility with standard 12V Halogen electronic transformers. It also delivers beam intensity which is equivalent to the 50W Philips Halogen MR16 lamps. The form-factor of Philips MASTER Value LED MR16 guarantees a 100% form on the back-side of the lamp (exact form with Halogen lamps.)

Warnings and Safety

- Operating temperature range is between -20° C and 45° C ambient
- Only to apply in dry or damp locations and most of open fixtures with lamp-holders that offer sufficient space (10 mm free air space)
- Not intended for use with emergency light fixtures or exit lights

Product data

General Information	
Cap-Base	GU5.3 [GU5.3]
Nominal lifetime	40,000 hour(s)
Switching Cycle	50,000
Lighting Technology	LED
EU RoHS compliant	Yes

Light Technical	
Color Code	830 [CCT of 3000K]
Beam Angle (Nom)	24 degree(s)
Luminous Flux	440 lm
Luminous Intensity (Nom)	2,200 cd
Color Designation	White (WH)

Correlated Color Temperature (Nom)	3000 K
Luminous Efficacy (rated) (Nom)	58.57 lm/W
Color Consistency	<6
Color rendering index (CRI)	80
LLMF At End Of Nominal Lifetime (Nom)	70 %
Luminous Flux in 90° Cone (Rated)	410 lm

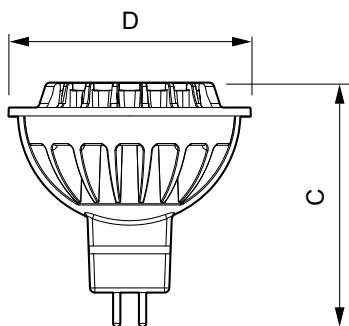
Operating and Electrical	
Power Consumption	7 W
Lamp Current (Nom)	720 mA
Starting Time (Nom)	0.5 s
Warm-up time to 60% light	1 s
Power Factor (Fraction)	0.7

MASTER VALUE LEDspot LV

Voltage (Nom)	12 V
Temperature	
T-Case Maximum (Nom)	92 °C
Controls and Dimming	
Dimmable	Yes
Mechanical and Housing	
Bulb Shape	MR16 [2inch/50mm]
Approval and Application	
Energy Saving Product	Yes
Suitable For Accent Lighting	Yes

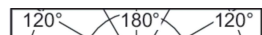
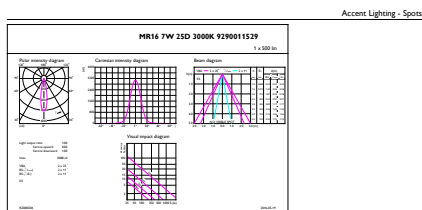
Energy Consumption kWh/1000 h	8 kWh
Product Data	
Order product name	MAS LEDspotLV D 7-35W 830 MR16 24D
Full product name	MAS LEDspotLV D 7-35W 830 MR16 24D
Full product code	871869648935200
Order code	929001152902
Material Nr. (12NC)	929001152902
Numerator - Quantity Per Pack	1
EAN/UPC - Product/Case	8718696489352
Numerator - Packs per outer box	10
EAN/UPC - Case	8718696489369

Dimensional drawing



Product	D	C
MAS LEDspotLV D 7-35W 830 MR16 24D	51 mm	51 mm

Photometric data

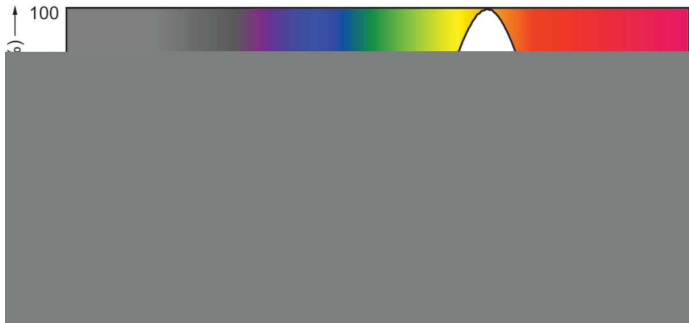


General uniform lighting - MAS LEDspotLV D 7-35W 830 MR16 24D

Light Distribution Diagram - MAS LEDspotLV D 7-35W 830 MR16 24D

MASTER VALUE LEDspot LV

Photometric data



Spectral Power Distribution Colour - MAS LEDspotLV D 7-35W 830 MR16
24D

