



MASTER VALUE LEDs pot LV

MAS LEDspotLV D 7-35W 827 MR16 24D

Philips MASTER VALUE MR16 is the series of Low Voltage (12VAC) Halogen MR16 replacements. Not only does it employ Philips' patented solution to guarantee the broadest possible compatibility with standard 12V Halogen electronic transformers. It also delivers beam intensity which is equivalent to the 50W Philips Halogen MR16 lamps. The form-factor of Philips MASTER Value LED MR16 guarantees a 100% form on the back-side of the lamp (exact form with Halogen lamps.)

Product data

General Information		Luminous Flux in 90° Cone (Rated)	
Cap-Base	GU5.3 [GU5.3]		400 lm
Nominal Lifetime (Nom)	40000 h	Operating and Electrical	
Switching Cycle	50000X	Power (Rated) (Nom)	7 W
Technical Type	7-35W	Lamp Current (Nom)	720 mA
Light Technical		Starting Time (Nom)	0.5 s
Color Code	827 [CCT of 2700K]	Warm Up Time to 60% Light (Nom)	1 s
Beam Angle (Nom)	24°	Power Factor (Nom)	0.7
Light Distribution	Medium beam 24°	Voltage (Nom)	12 V
Luminous Flux (Nom)	420 lm	Temperature	
Luminous Intensity (Nom)	2100 cd	T-Case Maximum (Nom)	92 °C
Color Designation	Warm White (WW)	Controls and Dimming	
Rated Beam Angle	24°	Dimmable	Yes
Correlated Color Temperature (Nom)	2700 K	Approval and Application	
Luminous Efficacy (rated) (Nom)	57.14 lm/W	Energy Efficiency Label (EEL)	A
Color Consistency	<6	Energy Saving Product	Yes
Color Rendering Index (Nom)	80		
LLMF At End Of Nominal Lifetime (Nom)	70 %		

MASTER VALUE LEDspot LV

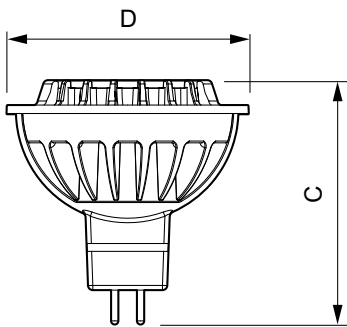
Suitable For Accent Lighting	Yes
Energy Consumption kWh/1000 h	8 kWh
Product Data	
Full product code	871869648878200
Order product name	MAS LEDspotLV D 7-35W 827 MR16 24D
EAN/UPC - Product	8718696488782

Order code	929001152802
Numerator - Quantity Per Pack	1
Numerator - Packs per outer box	10
Material Nr. (12NC)	929001152802
Net Weight (Piece)	0.045 kg

Warnings and Safety

- Operating temperature range is between -20° C and 45° C ambient
- Only to apply in dry or damp locations and most of open fixtures with lamp-holders that offer sufficient space (10 mm free air space)
- Not intended for use with emergency light fixtures or exit lights

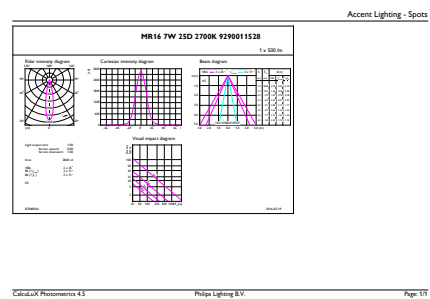
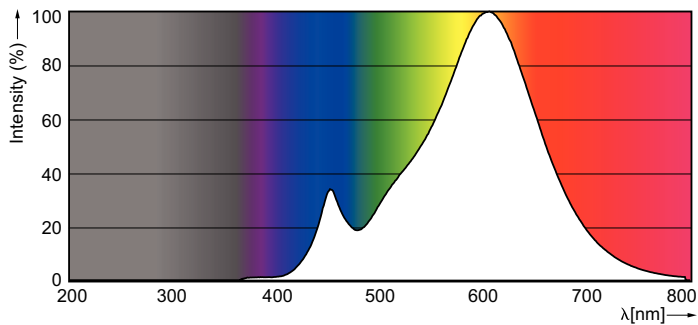
Dimensional drawing



LED D 7-35W 827 MR16 24D

Product	D	C
MAS LEDspotLV D 7-35W 827 MR16 24D	51 mm	51 mm

Photometric data



LEDspot 7-50W MR16 GU5.3 2700K 420lm 24D

MASTER VALUE LEDspot LV

Photometric data

