



MASTER LEDtube EM/ Mains

MAS LEDtube 600mm 9W 830 T8 RS

The Philips MASTER LEDtube integrates a LED light source into a traditional fluorescent form factor. Its unique design creates a perfectly uniform visual appearance which cannot be distinguished from traditional fluorescent. For those that are looking for value for money within limited budget and re-lamping efforts for better light effect and lifetime.

Product data

General Information	
Cap base	G13 [Medium Bi-Pin Fluorescent]
Main application	Industrial
Nominal lifetime (nom.)	50000 h
Switching cycle	200000X
B50L70	50000 h

Light Technical	
Colour code	830 [CCT of 3,000 K]
Beam Angle (Nom)	160 °
Luminous flux (nom.)	1000 lm
Luminous flux (rated) (nom.)	1000 lm
Rated beam angle	160 °
Correlated colour temperature (nom.)	3000 K
Luminous efficacy (rated) (nom.)	111 lm/W
Colour consistency	<6
Color rendering index (nom.)	83
LLMF at end of nominal lifetime (nom.)	70 %

Operating and Electrical	
Input frequency	50 to 60 Hz
Power (Rated) (Nom)	9 W
Lamp current (max.)	43 mA
Lamp current (min.)	36 mA
Starting time (nom.)	0.5 s
Warm-up time to 60% light (nom.)	0.1 s
Power factor (nom.)	0.9
Voltage (Nom)	220-240 V

Temperature	
T ambient (max.)	35 °C
T ambient (min.)	-20 °C
T storage (max.)	65 °C
T storage (min.)	-45 °C
T-Case maximum (nom.)	55 °C

Controls and Dimming	
Dimmable	No

MASTER LEDtube EM/Mains

Mechanical and Housing

Product length 600 mm

Approval and Application

Energy efficiency label (EEL) A+
 Energy-saving product Yes
 Suitable for accent lighting No
 Approval marks CE marking KEMA Keur certificate RoHS compliance
 Energy Consumption kWh/1000 h 9 kWh

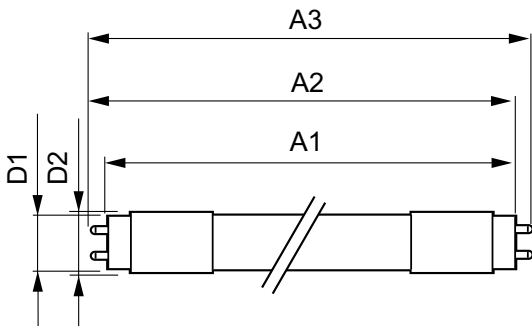
Product Data

Full product code 871869646141900
 Order product name MAS LEDtube 600mm 9W 830 T8 RS
 EAN/UPC – product 8718696461419
 Order code 46141900
 Numerator – quantity per pack 1
 Numerator – packs per outer box 10
 Material no. (I2NC) 929001149402
 Net weight (piece) 0.150 kg

Warnings and Safety

· -

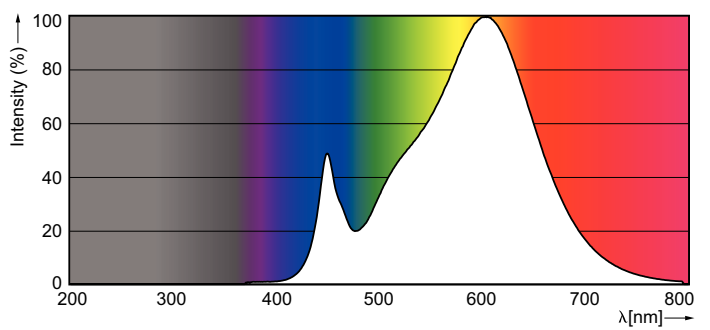
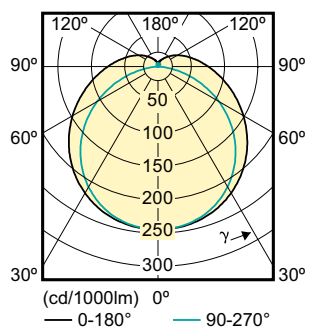
Dimensional drawing



LEDtube VLE 600mm 10W/830 T8 ROT

Product	D1	D2	A1	A2	A3
MAS LEDtube 600mm 9W 830 T8 RS	25.7 mm	28 mm	588.5 mm	595.5 mm	602.5 mm

Photometric data



MASTER LEDtube EM/Mains

