



CorePro LEDbulbs

CorePro LEDbulb 15-100W 827 E27

CorePro LEDbulbs are compatible with existing fixtures with an E27 or B22 holder and are designed for retrofit replacement of incandescent bulbs. They deliver huge energy savings and minimize maintenance cost. The CorePro LED bulb is the perfect bulb for your basic lighting needs. It provides the beautiful light and dependable performance you expect from LED at an affordable price.

Product data

General Information	
Cap-Base	E27 [E27]
Nominal Lifetime (Nom)	15000 h
Switching Cycle	50000X
Technical Type	15-100W
Light Technical	
Color Code	827 [CCT of 2700K]
Beam Angle (Nom)	150 °
Luminous Flux (Nom)	1521 lm
Luminous Flux (Rated) (Nom)	1521 lm
Color Designation	Warm White (WW)
Correlated Color Temperature (Nom)	2700 K
Luminous Efficacy (rated) (Nom)	101.4 lm/W
Color Consistency	<6
Color Rendering Index (Nom)	80
LLMF At End Of Nominal Lifetime (Nom)	70 %
Operating and Electrical	
Input Frequency	50 to 60 Hz
Power (Rated) (Nom)	15 W
Lamp Current (Nom)	130 mA

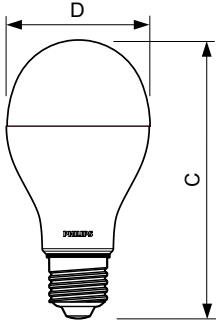
Starting Time (Nom)	0.5 s
Warm Up Time to 60% Light (Nom)	instant full light
Power Factor (Nom)	0.5
Voltage (Nom)	220-240 V
Temperature	
T-Case Maximum (Nom)	90 °C
Controls and Dimming	
Dimmable	No
Mechanical and Housing	
Bulb Finish	Frosted
Approval and Application	
Energy Efficiency Label (EEL)	A+
Suitable For Accent Lighting	No
Energy Consumption kWh/1000 h	15 kWh
Product Data	
Full product code	871869641464400
Order product name	CorePro LEDbulb 15-100W 827 E27

CorePro LEDbulbs

EAN/UPC - Product	8718696414644
Order code	929001125702
Numerator - Quantity Per Pack	1
Numerator - Packs per outer box	6

Material Nr. (12NC)	929001125702
Net Weight (Piece)	0.126 kg

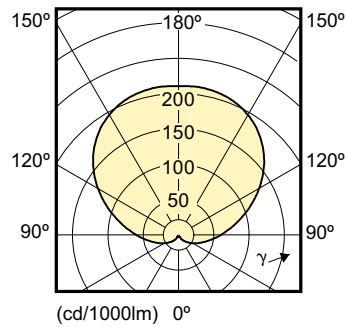
Dimensional drawing



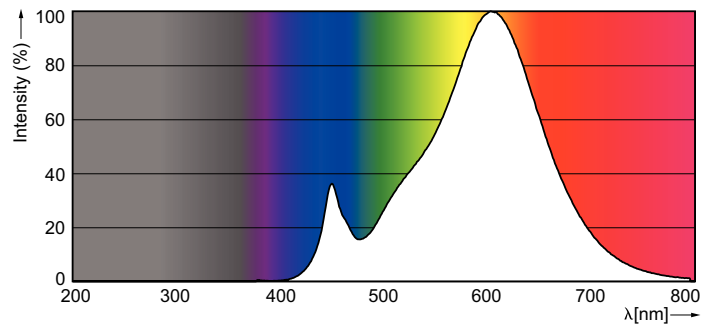
LED 15-100W E27 827 220-240V Frosted

Product	D	C
CorePro LEDbulb 15-100W 827 E27	68 mm	132 mm

Photometric data



15-100 W E27 A67 /827 2700 K



A67 /827 1521 lm

