

PRODUCT DATASHEET

ENDURA STYLE Cylinder Ceiling 6 W ST

ENDURA STYLE CYLINDER | Stainless steel wall-luminaires and bollards with indirect illumination



AREAS OF APPLICATION

- Outdoor
- Building facades
- Gardens, balconies and other outdoor areas
- Pathway lighting
- Driveways

PRODUCT BENEFITS

- Energy-efficient thanks to LED technology
- 5 years guarantee
- Easy and quick installation

PRODUCT FEATURES

- Bright and functional outdoor LED luminaires
- Type of protection: IP44
- Housing made of Polycarbonate covered with stainless steel
- Available as wall, ceiling and bollard luminaires



TECHNICAL DATA

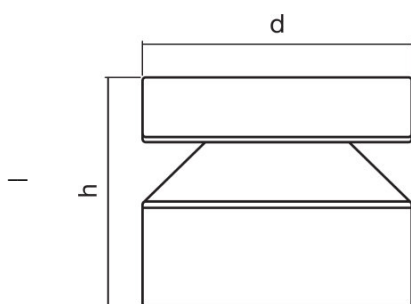
Electrical data

Nominal wattage	6.00 W
Operating mode	Mains voltage
Nominal voltage	220...240 V
Mains frequency	50/60 Hz

Photometrical data

Color temperature	3000 K
Color rendering index Ra	>80
Light color (designation)	Warm White
Luminous flux	360 lm
Luminous efficacy	60 lm/W

Dimensions & weight



Diameter	102.0 mm
Height	87.0 mm
Product weight	270.00 g

Colors & materials

Body material	Stainless steel
Housing color	Steel
Product color	Steel
Cover material	Polycarbonate (PC)

Temperatures & operating conditions

Ambient temperature range	-20...40 °C
----------------------------------	-------------

Additional product data

Mounting type	Surface
Mounting location	Wall

Capabilities

Dimmable	No
Type of connection	Terminal

Certificates & standards

Protection class	II
Type of protection	IP44

EQUIPMENT / ACCESSORIES

- Complete mounting and connecting accessories included

LOGISTICAL DATA

Product code	Product description	Packaging unit (Pieces/Unit)	Dimensions (length x width x height)	Volume	Gross weight
4058075032620	ENDURA STYLE Cylinder Ceiling 6 W ST	Shipping carton box 6	380 mm x 175 mm x 320 mm	21.28 dm ³	3033.00 g

- The mentioned product code describes the smallest quantity unit which can be ordered. One shipping unit can contain one or more single products. When placing an order, for the quantity please enter single or multiples of a shipping unit.

REFERENCES / LINKS

For Guarantee see

- ▶ www.ledvance.com/guarantee

DISCLAIMER

Subject to change without notice. Errors and omission excepted. Always make sure to use the most recent release.