

## RefLED Mr16 4W 3000K SL

*RefLED MR16 4W 3000K SL*

**0026174**

### Range features



### PRODUCT OVERVIEW

Light colour	830 Warm White
Ordering number	0026174
Technology	LED
Average life (Rated) (h)	35000
Energy class	A
Lamp finish	Grey
Lamp shape	Reflector
Dimmable	Yes
Cap/Base	GU5.3
Type	RefLED+ MR16
EAN code	5410288261744
CRI (Ra)	80
Beam angle(°)	30
Colour temperature (K)	3000
Useful luminous flux (Rated) (lm)	150
Efficacy (Rated) (lm/w)	38
Watt (Nominal) (W)	4
Equivalent watt (W)	14
Voltage (V)	12

# RefLED Mr16 4W 3000K SL

*RefLED MR16 4W 3000K SL*

**0026174**

## DATA TABLE

### General data

<b>Ordering number</b>	0026174
<b>Technology</b>	LED
<b>Average life (Nominal) (h)</b>	35000
<b>Average life (Rated) (h)</b>	35000
<b>Energy saving lamp</b>	Yes
<b>Energy class</b>	A
<b>Lamp shape</b>	Reflector
<b>Lamp finish</b>	Grey
<b>Dimmable</b>	Yes
<b>Cap/Base</b>	GU5.3
<b>Type</b>	RefLED+ MR16
<b>EAN code</b>	5410288261744
<b>E-number FI</b>	4740009
<b>E-number SE</b>	8359410
<b>Product name</b>	RefLED MR16 4W 3000K SL
<b>Lamp mercury content (mg)</b>	0
<b>Starting time (max) (s)</b>	<0,5
<b>Warm-up time to 60% of full light (max) (s)</b>	< 1s => 60%
<b>Control gear required</b>	No
<b>Intended purpose</b>	General lighting
<b>No. of switching cycles before premature failure (min)</b>	>17500
<b>Special purpose lamp</b>	No
<b>Transformer required</b>	Yes
<b>Sales pack quantity</b>	10
<b>Optimal operating condition (°C)</b>	25

# RefLED Mr16 4W 3000K SL

*RefLED MR16 4W 3000K SL*

**0026174**

## Optical data

<b>Light colour</b>	830 Warm White
<b>CRI (Ra)</b>	80
<b>Suitable for accent lighting</b>	Yes
<b>Beam angle (Rated) (°)</b>	30
<b>Beam angle(°)</b>	30
<b>Colour temperature (K)</b>	3000
<b>Colour Consistency</b>	6
<b>Useful luminous flux (Rated) (lm)</b>	150
<b>Lumen maintenance at end of nominal life (%)</b>	0.85
<b>Luminous flux (Nominal) (lm)</b>	200
<b>Peak intensity (cd)</b>	435
<b>Chromaticity coordinate Y</b>	-1
<b>Chromaticity coordinate X</b>	-1
<b>Adjustable chromaticity</b>	No

## Electrical data

<b>kWh per 1000 hours burning time</b>	5
<b>Efficacy (Rated) (lm/w)</b>	38
<b>Watt (Nominal) (W)</b>	4
<b>Watt (Rated) (W)</b>	4
<b>Equivalent watt (W)</b>	14
<b>Voltage (V)</b>	12
<b>Current (A)</b>	0.513
<b>Lamp power factor</b>	0.65

## Physical data

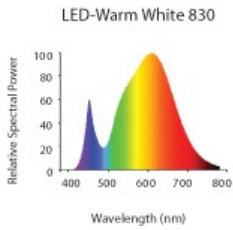
<b>Weight (kg)</b>	0.05
<b>Lamp Length (mm) - C/L</b>	49.5
<b>Lamp Diameter (mm) - D</b>	45.6
<b>Lamp dimension equal to filament lamp equivalent</b>	Yes
<b>Packaging outer width (cm)</b>	29.30
<b>Packaging outer length (cm)</b>	30.10
<b>Packaging outer height (cm)</b>	32.30
<b>Packaging single width (cm)</b>	5.00
<b>Packaging single length (cm)</b>	5.00
<b>Packaging single height (cm)</b>	6.20
<b>Designed for optimum use in non standard conditions</b>	No
<b>Fluorescent lamp replacement</b>	No

## RefLED Mr16 4W 3000K SL

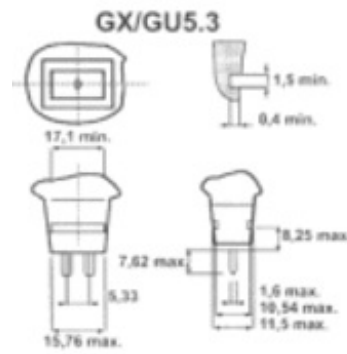
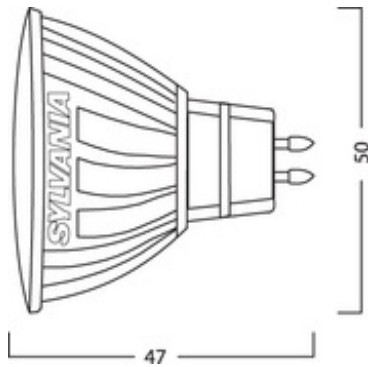
RefLED MR16 4W 3000K SL

0026174

### PHOTOMETRY



### TECHNICAL DRAWINGS



### ENERGY LABEL

