

GFDS600-G1 825-01

GINOLED FLEX Diffuse Side |



Product family features

- 3 SDCM, CRI80
- Large selection of lighting color temperatures
- 110° viewing angle per module
- Up to 50,000 h lifetime @ tc max
- Dimmable with PWM technology

Product family benefits

- Cut to length each 41.7 mm
- 10x10 mm super slim design, fit for embedded applications
- Diffuse version, side emitting, high light uniformity without spot or dark area
- IP67 protection for truly outdoor application

Areas of application

- Outdoor and indoor contour lighting
- Signage
- Cove lighting
- Decorative lighting
- Architectural lighting
- Accent lighting



Product datasheet

Technical data

Electrical data

Nominal wattage per meter	9.0 W
---------------------------	-------

Photometrical data

Color temperature	2500 K
Color rendering index Ra	80
Light color (designation)	2500 K
Standard deviation of color matching	≤3 sdcn
Luminous flux per meter	620 lm
Total useful luminous flux	620 lm

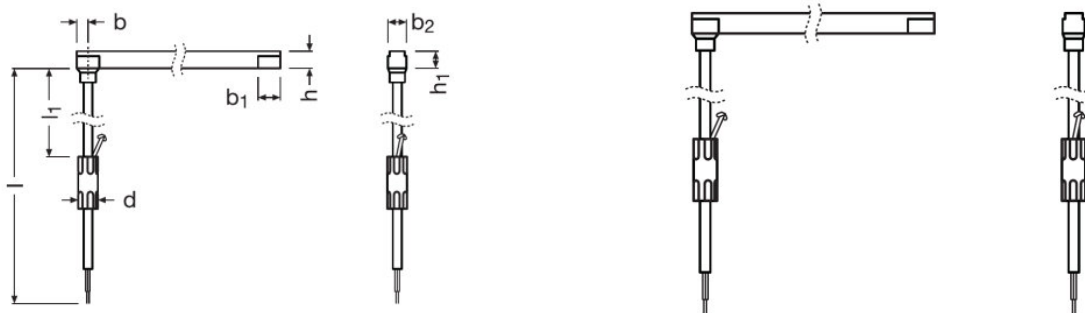
Light technical data

Beam angle	0 °
Starting time	0.0 s
LED pitch	6.95 mm
Warm-up time (60 %)	0.00 s

LED module information

Number of LEDs per smallest unit	6
Number of LEDs per meter	144

Dimensions & weight



Product weight	130.00 g
Length – smallest unit	41.7 mm
Length	1000 mm
Width	11.0 mm
Height	10.5 mm

Product datasheet

Cable length	665.0
--------------	-------

Colors & materials

Body material	Silicone
Cover material	Silicone

Temperatures & operating conditions

Ambient temperature range	-40...+55 °C
Performance temp. acc. to IEC 62717	RG0

Lifespan

Number of switching cycles	15000
Lumen main.fact.at end of nom.life time	0.70

Capabilities

Lowest bending radius	100 mm
With end piece	No
With connection set	Yes
Detection angle (Light sensor)	-
Detection angle (PIR)	-

Certificates & standards

Type of protection	IP67
Energy consumption	10 kWh/1000h

Logistical data

Commodity code	85395100000
----------------	-------------





Environmental information

Information according Art. 33 of EU Regulation (EC) 1907/2006 (REACH)	
Date of Declaration	27-06-2022
Primary Article Identifier	4062172219518
Candidate List Substance 1	No declarable substances contained
Declaration No. in SCIP database	No declarable substances contained

Download Data

File

Product datasheet

	User instruction GinoLED Diffuse White Flex
	Declarations of conformity GFD SW TW CE 4283939 180823
	Declarations of conformity GINOLED FD TW UK CE 4237513 040221
	IES data GFDS600-G1-825-01 IES

Ecodesign regulation information:

- This product is considered to be a "containing product" in the sense of Regulations (EU) 2019/2020 and (EU) 2019/2015.
- Tolerances of the reported values, are according to LED Modules Performance standard IEC/EN 62717.
- In general, the replacement of the contained light sources without permanent damage to the product with the use of common available tools is possible in the final application when they can be dismantled from the installation environment and substituted for the necessary number of light sources restoring its full electrical/mechanical/thermal/optical functionality by means of a professional installer. In the contrary, and limited to the LINEARlight Flex Diffuse, LINEARlight Rigid Finesse, GINO LED Flex Diffuse and LUMINENT Milky product families, the contained light source is an integrated part of the containing product and its removal can only be done by causing a permanent damage to the containing product due to its tight mechanical, electrical, optical, thermal interaction and/or environmental protection with or from the containing product. Therefore, a replacement of the light source with the use of common available tools is not justified.
- Dismantling of light sources from containing products at end of life: Containing products with light sources which are scalable in length can be cut to the length of the contained light source and if applicable mechanically detached from protective and/or optical covers. Containing products shall be separated from building material and/or from other additional mounting accessories by means of a professional installer. Separate control gear and light sources must be disposed of at certified disposal companies in accordance with Directive 2012/19/EU (WEEE) in the EU and with Waste Electrical and Electronic Equipment (WEEE) Regulations 2013 in the UK. For this purpose, collection points for recycling centres and take-back systems (CRSO) are available from retailers or private disposal companies, which accept separate control gear and light sources free of charge. In this way, raw materials are conserved and materials are recycled.

Logistical Data

Product code	Product description	Packaging unit (Pieces/Unit)	Dimensions (length x width x height)	Volume	Gross weight
4062172219518	GFDS600-G1 825-01	Shipping carton box 20	615 mm x 425 mm x 425 mm	111.08 dm ³	7400.00 g

The mentioned product code describes the smallest quantity unit which can be ordered. One shipping unit can contain one or more single products. When placing an order, for the quantity please enter single or multiples of a shipping unit.

Accessories Optional

Product description	Accessory name	Accessory code
GFDS600-G1 825-01	FX-GFDM-G1 TT-11H14-1000	▶ 4062172208079
GFDS600-G1 825-01	FX-GFDS11-G1 C2PF-IP20-02-300	▶ 4062172208918

Product datasheet

GFDS600-G1 825-01	FX-GFDS11-G1 C2PF-IP20-01-300	▶ 4062172208895
GFDS600-G1 825-01	FX-GFD11-G1 IP20-ENDCAP	▶ 4062172208932
GFDS600-G1 825-01	FX-GFD12-G1 IP65-ENDCAP	▶ 4062172208833

Disclaimer

Subject to change without notice. Errors and omission excepted. Always make sure to use the most recent release.