

## GFDT400-G1 857-01

GINOLED FLEX Diffuse Top |



### Product family features

- 3 SDCM, CRI80
- Large selection of lighting color temperatures
- 110° viewing angle per module
- Up to 50,000 h lifetime @ tc max
- Dimmable with PWM technology

### Product family benefits

- Cut to length each 41.7 mm
- 10x10 mm super slim design, fit for embedded applications
- Diffuse version, top emitting, high light uniformity without spot or dark area
- IP67 protection for truly outdoor application

### Areas of application

- Outdoor and indoor contour lighting
- Signage
- Cove lighting
- Decorative lighting
- Architectural lighting
- Accent lighting



# Product datasheet

## Technical data

### Electrical data

Nominal wattage per meter	6.0 W
---------------------------	-------

### Photometrical data

Color temperature	5700 K
Color rendering index Ra	80
Light color (designation)	5700 K
Standard deviation of color matching	≤3 sdcn
Luminous flux per meter	435 lm
Total useful luminous flux	435 lm

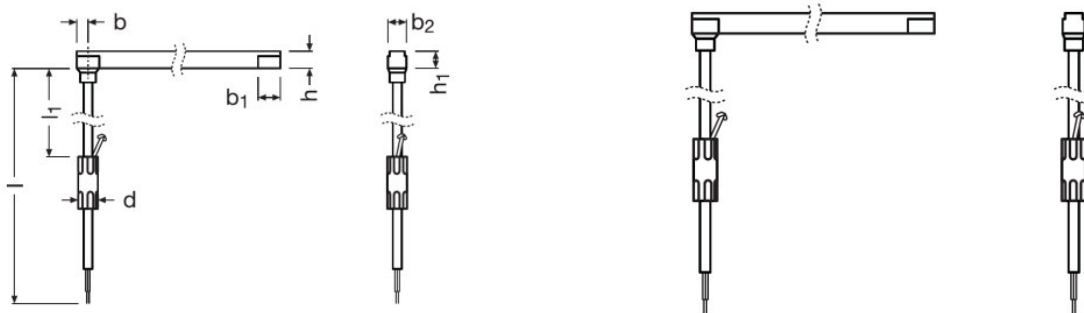
### Light technical data

Beam angle	110 °
Starting time	0.0 s
LED pitch	6.95 mm
Warm-up time (60 %)	0.00 s

### LED module information

Number of LEDs per smallest unit	6
Number of LEDs per meter	144

### Dimensions & weight



Product weight	130.00 g
Length – smallest unit	41.7 mm
Length	1000 mm
Width	11.0 mm
Height	10.5 mm

## Product datasheet

Cable length	665.0
--------------	-------

### Colors & materials

Body material	Silicone
Cover material	Silicone

### Temperatures & operating conditions

Ambient temperature range	-40...+55 °C
Performance temp. acc. to IEC 62717	RG0

### Lifespan

Number of switching cycles	15000
Rated lamp life time	50000 h
Lumen main.fact.at end of nom.life time	0.70
Nominal lamp life time	50000 h

### Capabilities

Lowest bending radius	100 mm
With end piece	No
With connection set	Yes
Control interface	-
Detection angle (Light sensor)	-
Detection angle (PIR)	-

### Certificates & standards

Type of protection	IP67
Energy consumption	7 kWh/1000h

### Logistical data





Commodity code	85395100000
----------------	-------------

### Environmental information

<b>Information according Art. 33 of EU Regulation (EC) 1907/2006 (REACH)</b>	
Date of Declaration	07-11-2022
Primary Article Identifier	4062172207690
Candidate List Substance 1	No declarable substances contained
Declaration No. in SCIP database	No declarable substances contained

## Product datasheet

### Download Data

File	
	User instruction GinoLED Diffuse White Flex
	Declarations of conformity GFD SW+TW CE 4283939 040221
	Declarations of conformity GINOLED FD TW UK CE 4237513 040221
	IES data GFDT400-G1-857-01

### Ecodesign regulation information:

- This product is considered to be a "containing product" in the sense of Regulations (EU) 2019/2020 and (EU) 2019/2015.
- Tolerances of the reported values, are according to LED Modules Performance standard IEC/EN 62717.
- In general, the replacement of the contained light sources without permanent damage to the product with the use of common available tools is possible in the final application when they can be dismantled from the installation environment and substituted for the necessary number of light sources restoring its full electrical/mechanical/thermal/optical functionality by means of a professional installer. In the contrary, and limited to the LINEARlight Flex Diffuse, LINEARlight Rigid Finesse, GINO LED Flex Diffuse and LUMINENT Milky product families, the contained light source is an integrated part of the containing product and its removal can only be done by causing a permanent damage to the containing product due to its tight mechanical, electrical, optical, thermal interaction and/or environmental protection with or from the containing product. Therefore, a replacement of the light source with the use of common available tools is not justified.
- Dismantling of light sources from containing products at end of life: Containing products with light sources which are scalable in length can be cut to the length of the contained light source and if applicable mechanically detached from protective and/or optical covers. Containing products shall be separated from building material and/or from other additional mounting accessories by means of a professional installer. Separate control gear and light sources must be disposed of at certified disposal companies in accordance with Directive 2012/19/EU (WEEE) in the EU and with Waste Electrical and Electronic Equipment (WEEE) Regulations 2013 in the UK. For this purpose, collection points for recycling centres and take-back systems (CRSO) are available from retailers or private disposal companies, which accept separate control gear and light sources free of charge. In this way, raw materials are conserved and materials are recycled.

### Logistical Data

Product code	Product description	Packaging unit (Pieces/Unit)	Dimensions (length x width x height)	Volume	Gross weight
4062172207690	GFDT400-G1 857-01	Shipping carton box 20	605 mm x 425 mm x 425 mm	109.28 dm <sup>3</sup>	7400.00 g

The mentioned product code describes the smallest quantity unit which can be ordered. One shipping unit can contain one or more single products. When placing an order, for the quantity please enter single or multiples of a shipping unit.

### Accessories Optional

## Product datasheet

Product description	Accessory name	Accessory code
GFDT400-G1 857-01	FX-GFDM-G1 TT-14H14-20	▶ 4062172207577
GFDT400-G1 857-01	FX-GFDM-G1 TT-11H14-1000	▶ 4062172208079
GFDT400-G1 857-01	FX-GFDT11-G1 C2PF-IP20-02-300	▶ 4062172208871
GFDT400-G1 857-01	FX-GFDT11-G1 C2PF-IP20-01-300	▶ 4062172208857
GFDT400-G1 857-01	FX-GFD11-G1 IP20-ENDCAP	▶ 4062172208932
GFDT400-G1 857-01	FX-GFD12-G1 IP65-ENDCAP	▶ 4062172208833

---

### Disclaimer

Subject to change without notice. Errors and omission excepted. Always make sure to use the most recent release.