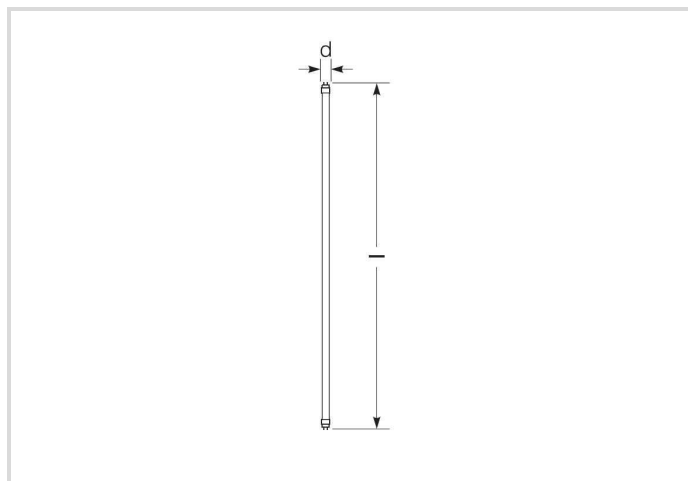


# LED Star T8-RetroFit

RL-T8 18 S 7,3W/840/G13 EM

# Radium

Product Datasheet Date: 02.06.2023



## General Data

Article No.	43518307
Code	RL-T8 18 S 840/G13 EM
Product EAN	4008597183072
Customs tariff no.	85395200
Box quantity (pcs.)	10
EAN Box	4008597483073
Gross weight of box in kg	1.77
Length of box in m	0.72
Width of box in m	0.21
Height of box in m	0.11
ETIM class	EC001959
ETIM class name	LED-lamp/Multi-LED
Weight	103 g
Product status	<span style="color: red;">●</span> Inactive

## Electric Parameters

Rated wattage	7.3 W
Nominal power	7.3 W

## Electric Parameters

Weighted energy consumption in 1,000 hours	8 kWh
Power factor	> 0.90
Nominal voltage	220-240 V
Mains Voltage	220 - 240 V
Voltage type	AC
Nominal current	35-35 mA
Nominal current (mA)	36 mA
max. no. of Lps with 10A (B) circuit breaker with ballast (ECG, CCG no capacitor) / at mains	125
max. no. of Lps with 16A (B) circuit breaker with ballast (ECG, CCG no capacitor) / at mains	200
dimnable	No

## Light Application Parameters

Luminous flux	1100 lm
Rated lamp luminous flux	1100 lm
Luminous flux in 90°-sector	1100 lm lm
Luminous flux in 120°-sector	1100 lm lm
Beam angle	190 °
Luminous efficiency	150 lm/W
Color temperature	4000 K
Color rendering index Ra	≥ 80
Color rendering index Ra nominal	80-89
Color Stability	≤ 5 sdcM

## Service Life

Average nominal lifespan	50000 h
Mean service life	50000 h
No. switching cycles	200000
Lamp survival factor at 6000h	≥ 0.90
Early failure rate at 1000h	≤ 5.0 %
Guarantee	5 years

## Specification

Energylabel notice	old label, no EPREL registration, no EU data sheet
Energy Label A to G	D
Energylabel A++ to E	A++
Diameter	26,7 mm

# LED Star T8-RetroFit

RL-T8 18 S 7,3W/840/G13 EM

# Radium

## Specification

Length max.	590 mm mm
Length	590 mm
Mercury content	0.0 mg
Material	Glass
Shatterproof in accordance with US-food-standard	Yes
Base	G13
Colour	White

## Notes on Operation

Degree of protection (IP)	IP20
Mode of operation for LED-Tubes	CCG-230 V
suitable for tandem circuit	Yes
Range of storage temperature	-25...+80 °C
Ambient temperatures	-25...+50 °C

## Information especially for EPREL

Energylabel notice	old label, no EPREL registration, no EU data sheet
EPREL ID number	874243

## Notes

T8 LED tube for exchange with FL, neutral white light, glass bulb, non-dim, base G13. Suitable for serial connection. Note installation instructions!

Please, refer to [www.radium.de/recycling](http://www.radium.de/recycling) for notes on disposal of burned-out lamps as well as lamp breakage.

The "lifespan L70" described for LED lamps indicates the number of hours when the luminous flux has decreased to 70% of its initial value.

The optimal field 'info about service life' contains the frame conditions according to standards based on which the specific service life has been determined. So, for example, "12B50, 50Hz" means that the mean service life (B50) has been determined with a 12h switching cycle at mains (frequency 50Hz), "3B50, HF" is based on a 3h switching cycle at electronic control gear (high frequency).

### Base



G13  
IEC/EN 60061-1  
sheet 7004-51-8

## Spectrum

As daylight is a mixture of direct sunlight and light from the sky, the spectral distribution changes all the time due to the time of the day and the weather. The standard illuminant D65 corresponds to daylight with colour temperature of about 6500K.

The colour of coloured LEDs depends on the chemical elements within the light generating chip. The coloured light is generated directly and does not need filtering.

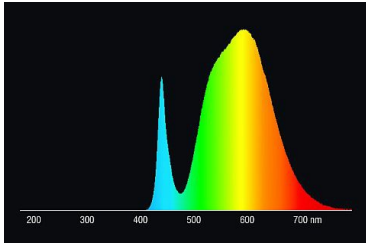
White LEDs are either RGB (red + green + blue chip in one LED = light colour white) or blue LED-chips with yellow/orange phosphor in the resin.

Visible region from 380 to 780 nm; height of graph corresponding with relative spectral emission (400mW/klm)per 10nm.

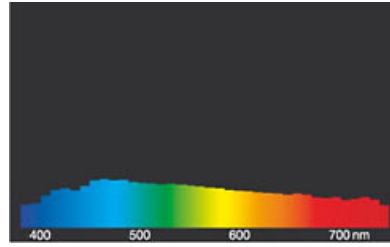
# LED Star T8-RetroFit

RL-T8 18 S 7,3W/840/G13 EM

# Radium



LED retrofit tube lamps for fluorescent lamps 4000K



daylight(D 65)

## Special features



## General notes

Please note the installation instructions when replacing fluorescent lamps with LED tubes. Some LED lamp types are only suitable for 1: 1 replacement at the respective burning position: with CCG by using the enclosed starter, with ECG with compatible control gear. Others can be operated directly on 230V (conversion of the luminaire), others again can 'do' CCG as well as 230V or all 3 variations. Neo tubes need an external LED driver (replacement of the control gear). LED Neo tubes are dimmable, all other LED tubes are not dimmable.

The technical design data in accordance with DIN and IEC. The producer does not take any responsibility for damage to persons or property in case of unsuitable operation or handling of the product. Operating data and dimensions are valid within the usual tolerances. Related lamp types (different bases, mains voltages) may be available on request. Sale and delivery are effected in accordance with the Radium Terms of Delivery and Payment valid on the day of conclusion of contract. Packing units offer economical advantages to the purchase and logistic department. Please match your quantity volume accordingly. For orders of a minimum quantity (clefs) with a lamp model the amount lower than the volume of each packaging unit, we will invoice 10 % additional charge per lamp type. Technical changes and terms of delivery are reserved. Manipulation of any kind to packaging or product is not permissible as this will violate Radium brand rights. Furthermore, technical properties of the product can change to its disadvantage or even destruction. Therefore, Radium cannot be responsible for consequential damages.

® = Registered trademark

Subject to change without notice. Errors and omissions excepted.

## Safety instructions

To ensure full light efficiency and product life, the permissible temperature ranges must be observed and dry environment ensured. When operated with existing control gear, their compatibility with the lamp must be checked.

All technical data without guarantee.