

# PRODUCT DATASHEET

## TRACK SP D85 35 W 3000 K 90RA NFL GY

TRACKLIGHT SPOT D85 35W | 3-phase tracklight spot with integrated control gear, medium wattage



GERMAN  
DESIGN  
AWARD  
NOMINEE  
2019



### Areas of application

- Direct replacement for luminaires using HID lamps
- Accent lighting
- Fashion shops, accessories shops
- Retail
- Hotels, restaurants, shops

### Product benefits

- Included 3-phase adapter compatible with common tracks (GLOBAL, EUTRAC, POWERGEAR, STAFF, NORLUX, NUCO, NORDIC)
- Deep reflector and black antiglare ring for minimized glare (UGR < 16)
- Reflector easily replaceable thanks to bayonet catch and rubber suction pad
- No distraction of attention from the illuminated objects thanks to reduced design
- Low flicker light thanks to special electronic control gear
- 5 years guarantee

### Product features

- Compact tracklight spot with integrated control gear
- Rotation angle: 350°, tilt angle: 90°
- Luminaire efficacy: up to 80 lm/W
- Available with color temperature 3000 K or 4000 K



- Very good color rendering index  $R_a$ : > 90
- Color rendering index  $R_a9$ : > 50
- Initial color consistency:  $\leq 3$  SDCM
- Equipped with reflectors with  $24^\circ$  beam angle
- Follows the unified LEDVANCE design language (SCALE design)
- Robust die-cast aluminum housing
- Available in matt white (like RAL9016), matt black (like RAL9004) and concrete grey (like RAL7042)

## TECHNICAL DATA

### Electrical data

Nominal wattage	35.00 W
Nominal voltage	220...240 V
Mains frequency	50...60 Hz
Nominal current	150 mA
Inrush current	25 A
Inrush current time $T_{h50}$	< 4 $\mu$ s
Max. number of luminaires per miniature circuit breaker B16	30
Max. number of luminaires per miniature circuit breaker C10	24
Max. number of luminaires per miniature circuit breaker C16	38
Power factor $\lambda$	$\geq 0.90$
Total harmonic distortion	< 15 %
Protection class	I
Operating mode	Integrated LED driver

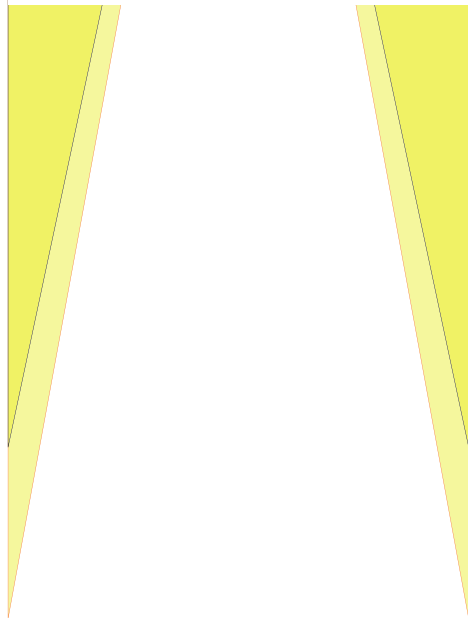
### Photometrical data

Luminous flux	2660 lm
Luminous efficacy	70 lm/W
Color temperature	3000 K
Light color (designation)	Warm White
Color rendering index Ra	90
Standard deviation of color matching	$\leq 3$ sdc <sub>m</sub>
Luminous intensity	-
Low flicker	Yes
Flickering metric (Pst LM)	-
Stroboscope effect metric (SVM)	-
Photobiological safety group acc. to EN62778	RG1
Beam angle	24 °

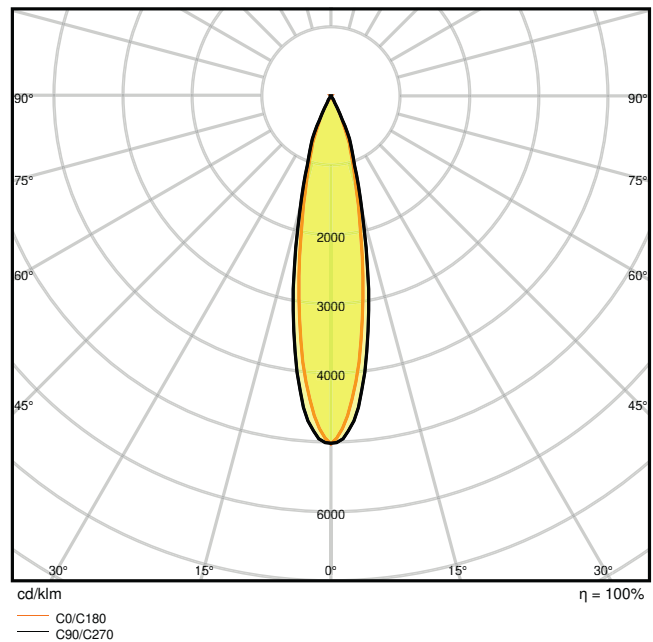
0.5	0.21 0.18	E(0°) 52290 E(C90) 24563 E(C0) 25085
1.0	0.43 0.37	E(0°) 13073 E(C90) 6141 E(C0) 6271
1.5	0.64 0.55	E(0°) 5810 E(C90) 2729 E(C0) 2787
2.0	0.85 0.73	E(0°) 3268 E(C90) 1535 E(C0) 1568
2.5	1.06 0.92	E(0°) 2092 E(C90) 983 E(C0) 1003
3.0	1.28 1.10	E(0°) 1453 E(C90) 682 E(C0) 697

Distance [m]      Cone diameter [m]      Illuminance [lx]

— C0/C180 (Half beam angle [°]: 20.8°)  
— C90/C270 (Half beam angle [°]: 24.0°)



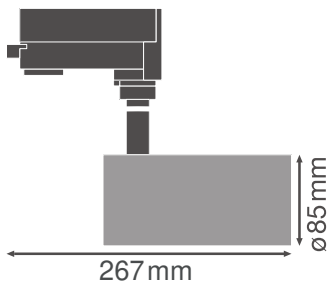
TRACK SP D85 35W3000K 90RA NFL GY



TRACK SP D85 35W3000K 90RA NFL GY

Dimensions & Weight

Diameter	85.00 mm
Height	269.00 mm
Product weight	1020.00 g



TRACK SP D85 BK

### Materials & Colors

Product color	Gray
Housing color	Gray
Body material	Aluminum
Cover material	Polymethylmethacrylate (PMMA)
Light emitting surface material	Polycarbonate (PC)
Glow Wire Test according to IEC 60695-2-12	650 °C
Mercury content	0.0 mg

### Application & Mounting

Ambient temperature range	-20...+40 °C
Type of connection	Adapter, 3-phase
Type of protection	IP20
Protection class IK (shock resistance)	IK02
Dimmable	No
Mounting type	Surface
Mounting location	Mounting track
Application environment	Indoor
Adjustable	Yes
LED module replaceable	Not replaceable

### Lifespan

Lifespan L70/B50 at 25 °C	50000 h <sup>1)</sup>
Lifespan L80/B10 at 25 °C	45000 h <sup>1)</sup>
Lifespan L90/B10 at 25 °C	30000 h

Number of switching cycles	50000
----------------------------	-------

1) t[h]: L70 / B50 @ 25 °C (Ta), t[h]: L80 / B10 @ 25 °C (Ta), t[h]: L90 / B10 @ 25 °C (Ta)

**Control gear**

Output current	900 mA
ECG - Output ripple current	< 10 %









**Certificates & Standards**







Standards	CE / CB / ENEC / TÜV SÜD / EAC / RoHS
Luminaire with limited surface temperature, "D sign"	No
Ball shot safe	No



**EQUIPMENT / ACCESSORIES**


– Accessory reflectors with 15° or 38° beam angle available

**DOWNLOAD DATA**

Documents and certificates		Document name
	User instruction	UI Tracklight Spot
	Addon Technical Information	LS Insert TRACK SP D
	On-Pack-Info	Legal Insert Tracklight
	Packaging insert	TRACKLIGHT SPOT
	Declarations Of Conformity CE	Attestation-of-Conformity Track SP TÜV
	Declarations Of Conformity CE	Attestation-of-Conformity Track SP LEDV
	Declarations Of Conformity UKCA	TRACK SP
Photometric and lighting design files		Document name
	IES file (IES)	TRACK SP D85 35W3000K 90RA NFL GY

Photometric and lighting design files		Document name
	LDT file (Eulumdat)	TRACK SP D85 35W3000K 90RA NFL GY
	ULD file (DIALux)	TRACKLIGHTSPOTD8535W35W3000K90RANFLGY
	ROLF file (RELUX)	TRACK SP D85 35W-3000K
	UGR file (UGR table)	TRACK SP D85 35W3000K 90RA NFL GY
	LDC typ cone	TRACK SP D85 35W3000K 90RA NFL GY
	LDC typ polar	TRACK SP D85 35W3000K 90RA NFL GY

CAD/BIM files		Document name
	BIM_Revit_3D	TRACKLIGHT SPOT
	CAD_STEP_3D	TRACK SP D85

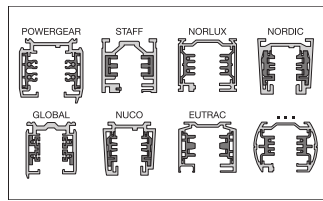
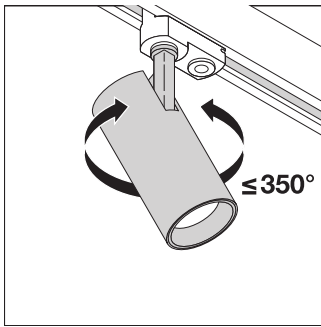
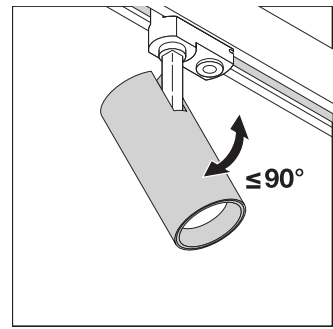
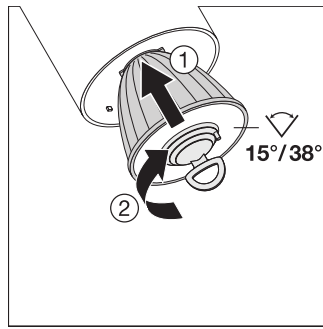
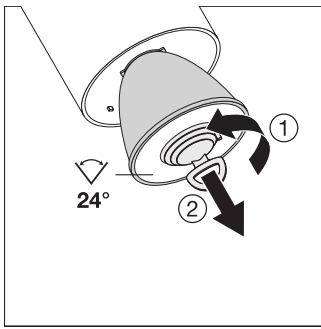
Tender texts		Document name
	Tender documents	TRACKLIGHT SPOT D85 35W 35 W 3000 K 90RA NFL GY-EN

**LOGISTICAL DATA**

Product code	Packaging unit (Pieces/Unit)	Dimensions (length x width x height)	Gross weight	Volume
4058075113725	Folding box 1	120 mm x 120 mm x 300 mm	1141.00 g	4.32 dm <sup>3</sup>
4058075113732	Shipping box 4	502 mm x 137 mm x 335 mm	4882.00 g	23.04 dm <sup>3</sup>

The mentioned product code describes the smallest quantity unit which can be ordered. One shipping unit can contain one or more single products. When placing an order, for the quantity please enter single or multiples of a shipping unit.

**ADDITIONAL CATALOG INFORMATION**



References / Links

– For Guarantee see [www.ledvance.com/guarantee](http://www.ledvance.com/guarantee)

DISCLAIMER

Subject to change without notice. Errors and omission excepted. Always make sure to use the most recent release.