

# Product datasheet

## PP MR16 4.5 W/930 GU5.3

PARATHOM PRO MR16 | Dimmable low-voltage LED reflector lamps MR16 with retrofit pin base



- Shops Hospitality Museums, art galleries Residential interiors As a downlight for marking walkways, doors, stairs, etc. Spotlighting for accents Display cabinets and shop windows Spotlighting heat-sensitive objects such as food, plants, etc. Outdoor applications only in suitable luminaires

- Short payback period thanks to low energy consumption and maintenance costs Premium light quality thanks to high color rendering index and narrow binning Easy replacement of halogen lamps due to compact full glass design and single optic
- Product features Very high color rendering (Ra: 90) Very high color consistency:  $\leq 4$  SDCM Dimmable (with many common dimmers, see also [www.ledvance.com/dim](http://www.ledvance.com/dim)) Made in Germany (versions up to 20 W) Mercury-free lamps Product benefits Short payback period thanks to low energy consumption and maintenance costs Premium light quality thanks to high color rendering index and narrow binning Easy replacement of halogen lamps due to compact full glass design and single optic Areas of application Shops Hospitality Museums, art galleries Residential interiors As a downlight for marking walkways, doors, stairs, etc. Spotlighting for accents Display cabinets and shop windows Spotlighting heat-sensitive objects such as food, plants, etc. Outdoor applications only in suitable luminaires References / Links For dimming conformity see [www.ledvance.com/dim](http://www.ledvance.com/dim) For further products and actual information concerning LED lamps see [www.ledvance.com/ledlamps](http://www.ledvance.com/ledlamps) For Guarantee see [www.ledvance.com/guarantee](http://www.ledvance.com/guarantee) Further information see [www.ledvance.com/low-voltage-ledlamps](http://www.ledvance.com/low-voltage-ledlamps)



## Product datasheet

---

### Technical data

#### Electrical data

Rated wattage	4.50 W
Nominal wattage	4.50 W
Nominal voltage	12 V
Claimed equiv. conventional lamp power	20 W
Operating frequency	50...60 Hz
Nominal current	0.62 A

#### Photometrical data

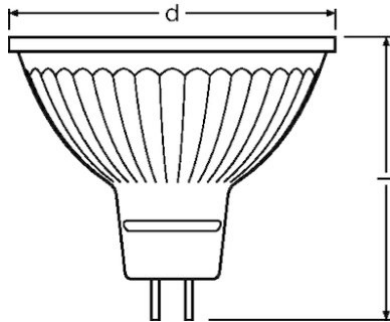
Nominal luminous flux	230 lm
Rated luminous flux	230 lm
Rated color temperature	3000 K
Color rendering index Ra	97
Light color (designation)	Warm White
Standard deviation of color matching	≤3 sdc <sub>m</sub>
Nominal useful luminous flux 90°	230 lm
Rated useful luminous flux 90°	230 lm
Rated peak intensity	600 cd
Color temperature	3000 K
Luminous flux	230 lm
Lumen main.fact.at end of nom.life time	0.70

#### Light technical data

Beam angle	36 °
Nominal beam angle	36 °
Rated beam angle (half peak value)	36.00 °
Starting time	< 0.5 s

### Dimensions & weight

---



Overall length	46.0 mm
Diameter	51.0 mm
Outer bulb	MR51
Product weight	38.00 g
Length	46.0 mm
Maximum diameter	51.0 mm

### Temperatures & operating conditions

Ambient temperature range	-20...+40 °C
---------------------------	--------------

### Lifespan

Nominal lamp life time	40000 h
Rated lamp life time	40000 h
Number of switching cycles	1000000
Lumen maintenance at end of service life	0.70

### Additional product data

Base (standard designation)	GU5.3
Mercury content	0.0 mg
Mercury-free	Yes
Appropriate disposal acc. to WEEE	Yes
Successor EAN	4058075431638
Product remark	All technical parameters apply to the entire lamp/Due to the complex production process for light-emitting diodes, the typical values shown for the technical LED parameters are purely statistical values that do not necessarily match the actual technical parameters of each individual product, which can vary from the typical value

## Product datasheet

Predecessor EAN	4058075069329
-----------------	---------------

### Capabilities

Dimmable	Yes
----------	-----

### Certificates & standards

Energy efficiency class	A
Energy consumption	5 kWh/1000h
Type of protection	IP20

### Country specific categorizations

Order reference	LPMR16D2036 4,5
-----------------	-----------------

### Environmental information

Information according Art. 33 of EU Regulation (EC) 1907/2006 (REACH)	
Date of Declaration	18-04-2022
Primary Article Identifier	4058075095649
Declaration No. in SCIP database	In work

#### Ecodesign regulation information:

Separate control gear and light sources must be disposed of at certified disposal companies in accordance with Directive 2012/19/EU (WEEE) in the EU and with Waste Electrical and Electronic Equipment (WEEE) Regulations 2013 in the UK. For this purpose, collection points for recycling centres and take-back systems (CRSO) are available from retailers or private disposal companies, which accept separate control gear and light sources free of charge. In this way, raw materials are conserved and materials are recycled.

#### Logistical Data

Product code	Product description	Packaging unit (Pieces/Unit)	Dimensions (length x width x height)	Volume	Gross weight
4058075095649	PP MR16 4.5 W/930 GU5.3	Shipping carton box 10 Pieces Folding carton box	257 mm x 110 mm x 70 mm	1.98 dm <sup>3</sup>	495.00 g

The mentioned product code describes the smallest quantity unit which can be ordered. One shipping unit can contain one or more single products. When placing an order, for the quantity please enter single or multiples of a shipping unit.

#### References / Links

For dimming conformity see

▶ [www.osram.com/DIM](http://www.osram.com/DIM)

## Product datasheet

For further products and actual information concerning LED lamps see

▶ [www.osram.com/ledlamps](http://www.osram.com/ledlamps)

For Guarantee see <https://>

▶ [www.inventronics-light.com/multilevel-guarantees](https://www.inventronics-light.com/multilevel-guarantees)

Further information see

▶ [www.osram.com/low-voltage-ledlamps](http://www.osram.com/low-voltage-ledlamps)

---

### Disclaimer

Subject to change without notice. Errors and omission excepted. Always make sure to use the most recent release.

OSRAM is distribution partner  
of LEDVANCE of LAMPS

**OSRAM**

OSRAM GmbH  
Marcel-Breuer-Strasse 6  
80807 Munich, Germany