
Product datasheet

P DIM PAR16 8 W/827 GU10

PARATHOM DIM PAR 16 | Dimmable LED reflector lamps PAR16 with retrofit pin base



Technical data

Electrical data

Rated wattage	8.00 W
Nominal wattage	8.00 W
Nominal voltage	220...240 V
Claimed equiv. conventional lamp power	80 W
Operating frequency	50...60 Hz
Max. lamp no. on circuit break. 10 A (B)	303
Nominal current	0.047 A

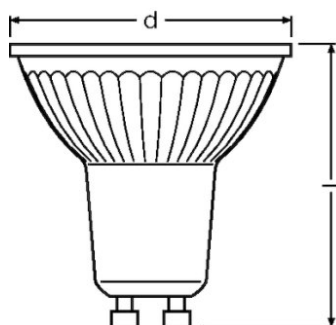
Photometrical data

Nominal luminous flux	575 lm
Rated luminous flux	575 lm
Rated color temperature	2700 K
Color rendering index Ra	≥80
Light color (designation)	Warm White
Standard deviation of color matching	≤5 sdc _m
Nominal useful luminous flux 90°	575 lm
Rated useful luminous flux 90°	575 lm
Rated peak intensity	1439 cd
Color temperature	2700 K
Luminous flux	575 lm
Lumen main.fact.at end of nom.life time	0.70

Light technical data

Beam angle	36 °
Nominal beam angle	36 °
Rated beam angle (half peak value)	36.00 °
Starting time	< 0.5 s

Dimensions & weight



Overall length	55.0 mm
Diameter	51.0 mm
Outer bulb	PAR51
Product weight	56.00 g
Length	55.0 mm
Maximum diameter	51.0 mm

Temperatures & operating conditions

Ambient temperature range	-20...+40 °C
---------------------------	--------------

Lifespan

Nominal lamp life time	25000 h
Rated lamp life time	25000 h
Number of switching cycles	100000
Lumen maintenance at end of service life	0.70

Additional product data

Base (standard designation)	GU10
Mercury content	0.0 mg
Mercury-free	Yes
Appropriate disposal acc. to WEEE	Yes
Successor EAN	4058075449282
Product remark	All technical parameters apply to the entire lamp/Due to the complex production process for light-emitting diodes, the typical values shown for the technical LED parameters are purely statistical values that do not necessarily match the actual technical parameters of each individual product, which can vary from the typical value

Product datasheet

Predecessor EAN	4052899958005
-----------------	---------------

Capabilities

Dimmable	Yes
----------	-----

Certificates & standards

Energy efficiency class	A+
Energy consumption	8 kWh/1000h
Type of protection	IP20

Country specific categorizations

Order reference	LPPAR16D8036 8W
-----------------	-----------------

Environmental information

Information according Art. 33 of EU Regulation (EC) 1907/2006 (REACH)	
Date of Declaration	18-04-2022
Primary Article Identifier	4058075095489
Declaration No. in SCIP database	In work

Ecodesign regulation information:

Separate control gear and light sources must be disposed of at certified disposal companies in accordance with Directive 2012/19/EU (WEEE) in the EU and with Waste Electrical and Electronic Equipment (WEEE) Regulations 2013 in the UK. For this purpose, collection points for recycling centres and take-back systems (CRSO) are available from retailers or private disposal companies, which accept separate control gear and light sources free of charge. In this way, raw materials are conserved and materials are recycled.

References / Links

For dimming conformity see

▶ www.osram.com/DIM

For further products and actual information concerning LED lamps see

▶ www.osram.com/ledlamps

For Guarantee see <https://>

▶ www.inventronics-light.com/multilevel-guarantees

Disclaimer

Subject to change without notice. Errors and omission excepted. Always make sure to use the most recent release.

OSRAM is distribution partner
of LEDVANCE of LAMPS

OSRAM

OSRAM GmbH
Marcel-Breuer-Strasse 6
80807 Munich, Germany