

## PARATHOM PAR16 35 36° 3.1 W/827 GU10

PARATHOM advanced PAR16 | Dimmable LED reflector lamps PAR16 with retrofit pin base



### Areas of application

- Spotighting for accents
- Display cabinets and shop windows
- Retail outlets and exhibition rooms
- Spotighting heat-sensitive objects such as food, plants, etc.
- Outdoor applications only in suitable luminaires
- Directional light sources
- Hospitality
- Shops

### Product benefits

- Very low energy consumption
- Extremely long life
- Robust against vibrations
- No UV and near-IR radiation in the light beam
- Professional thermal management
- Efficient generation of white light
- Alternative to line-voltage halogen lamps
- Ideal for economical spotighting

### Product features

- Professional LED lamps for line voltage
- Dimmable (with many common dimmers, see also [www.ledvance.com/dim](http://www.ledvance.com/dim))
- Made in Europe
- Base: GU10
- Lifetime: up to 35,000 h
- Mercury-free lamps



## Product datasheet

- High color consistency; SDCM: < 5 (PARATHOM PRO)

## Technical data

### Electrical data

Rated wattage	3.10 W
Nominal wattage	3.10 W
Nominal voltage	220...240 V
Claimed equiv. conventional lamp power	35 W
Operating frequency	50...60 Hz
Power factor $\lambda$	0.85

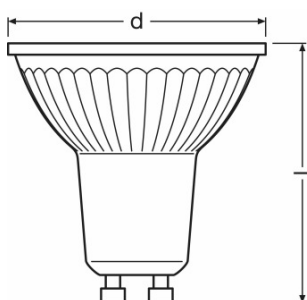
### Photometrical data

Luminous intensity	565 cd
Nominal luminous flux	230 lm
Rated luminous flux	230 lm
Color temperature	2700 K
Color rendering index Ra	$\geq 80$
Light color (designation)	Warm White
Standard deviation of color matching	$\leq 5$ sdc <sub>m</sub>
Nominal useful luminous flux 90°	230 lm
Rated useful luminous flux 90°	230 lm
Rated peak intensity	565 cd

### Light technical data

Beam angle	36 °
Warm-up time (60 %)	1.00 s
Starting time	0.0 s
Nominal beam angle	36 °
Rated beam angle (half peak value)	36.00 °

## Dimensions & weight



<b>Overall length</b>	55.0 mm
<b>Diameter</b>	51.0 mm
<b>Outer bulb</b>	PAR51
<b>Length</b>	55.0 mm
<b>Maximum diameter</b>	51.0 mm

## Lifespan

<b>Nominal lamp life time</b>	25000 h
<b>Rated lamp life time</b>	25000 h
<b>Number of switching cycles</b>	100000
<b>Lumen main.fact.at end of nom.life time</b>	0.70

## Additional product data

<b>Base (standard designation)</b>	GU10
<b>Mercury content</b>	0.0 mg
<b>Mercury-free</b>	Yes
<b>Appropriate disposal acc. to WEEE</b>	Yes
<b>Product remark</b>	All technical parameters apply to the entire lamp/Due to the complex production process for light-emitting diodes, the typical values shown for the technical LED parameters are purely statistical values that do not necessarily match the actual technical parameters of each individual product, which can vary from the typical value/LED lamps contain several electronic components. Under unfavourable conditions these can lead to acoustic noise. In case of resonance even low noise can cause audible effect. Possible factors influencing this are the installation, the design of the lamp holder and the luminaire (acoustic resonance effect) as well as the dimmer or the transformer (harmonics or electronic resonance)

## Product datasheet

### Capabilities

Dimmable	Yes
----------	-----

### Certificates & standards

Energy efficiency class	A+
Energy consumption	4 kWh/1000h

### Country specific categorizations

ILCOS	DRPAR-3,1/827-220-240-GU10-50/36
Order reference	PPAR16D35363,1W



Guarantee

### Logistical Data

Product code	Product description	Packaging unit (Pieces/Unit)	Dimensions (length x width x height)	Volume	Gross weight
4052899957909	PARATHOM PAR16 35 36° 3.1 W/827 GU10	Shipping carton box 10	257 mm x 110 mm x 70 mm	1.98 dm <sup>3</sup>	595.00 g

The mentioned product code describes the smallest quantity unit which can be ordered. One shipping unit can contain one or more single products. When placing an order, for the quantity please enter single or multiples of a shipping unit.

### References / Links

For dimming conformity see

▶ [www.ledvance.com/dim](http://www.ledvance.com/dim)

For further products and actual information concerning LED lamps see

▶ [www.ledvance.com/ledlamps](http://www.ledvance.com/ledlamps)

For Guarantee see

## Product datasheet

▶ [www.ledvance.com/guarantee](http://www.ledvance.com/guarantee)

---

### Disclaimer

Subject to change without notice. Errors and omission excepted. Always make sure to use the most recent release.