



MASTER LEDspot PAR

MASTER LEDspot D 9.5-75W 840 PAR30S 25D

With its robust design and warm-white beam of light, these new-generation PAR lamps are ideal for general lighting and spot lighting in the hospitality industry. There is a choice of dimmable and non-dimmable versions. They are especially suitable for public areas such as lobbies, corridors, stairwells, where the light is always on. Compatible with existing fixtures with an E27 holder and designed for retrofit replacement of halogen/incandescent lamps, MASTER LEDspot PAR deliver huge energy savings and minimize maintenance cost without any reduction in brightness. The IP44-rated outdoor version of the PAR 38 lamp is one of the few energy-saving alternatives to incandescent PAR38 outdoor lamps available today. The dimmable PAR 20 is a perfect replacement for an incandescent spot.

Product data

• General Characteristics

Cap-Base	ES
Bulb	PAR30S [PAR30S mm]
Rated Lifetime	40000 hr
Nominal Lifetime hours	40000 hr

• Light Technical Characteristics

Colour Code	840
Colour Designation	White
Beam Angle	25 D
Correlated Colour Temperature	4000 K
Luminous Flux	750 Lm
Luminous Intensity	3850 cd
Colour rendering index	80
Luminous Efficacy Lamp	78.95 Lm/W
Colour Temperature	4000 K [CCT 4000K]
Rated Luminous Flux	750 Lm
LLMF - end nominal lifetime	70 %
Colour consistency	6 steps
Rated Beam Angle	25 D
Luminous flux in 90° cone	750 Lm

• Electrical Characteristics

Wattage	9.5 W
Wattage Technical	9.5 W
Voltage	220-240 V
Line Frequency	50-60 Hz
Power Factor	0.9 -
Lamp Current mA	46 mA

Dimmable	Yes
Wattage Equivalent	75 W
Rated Wattage	9.5 W
Starting Time	0.5 s
Warm-up Time to 60% Light Outp	instant full light
Suitable for accent lighting	Yes

• Temperature Characteristics

• Environmental characteristics

Energy Efficiency Label (EEL)	A+
-------------------------------	----

• Measuring Conditions

Switching cycle	50000X
-----------------	--------

• Product Dimensions

Overall Length C	94.1 mm
Diameter D	92 mm

• Product Data

Order code	714361 00
Full product code	871829171436100
Full product name	MASTER LEDspot D 9.5-75W 840 PAR30S 25D
Order product name	MASTER LEDspot D 9.5-75W 840 PAR30S 25D
Pieces per pack	1
Packing configuration	10
Packs per outerbox	10



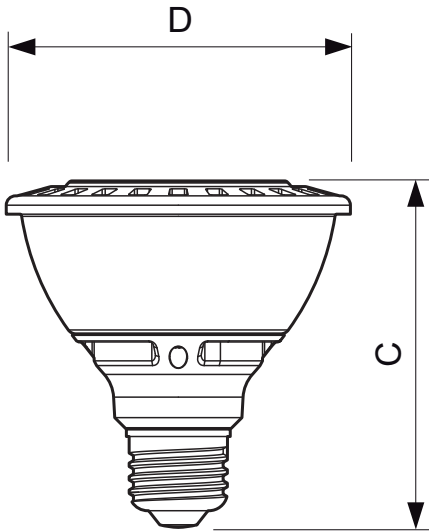
PHILIPS

MASTER LEDspot PAR

Bar code on pack - EAN1 8718291714361
Bar code on outerbox - EAN3 8718291714378

Logistic code(s) - 12NC 929000259002
Net weight per piece 0.321 kg

Dimensional drawing



E27

MASTER LEDspot D 9.5-75W 840 PAR30S 25D

Product	C (Norm)	C1 (Max)	D (Norm)	D1 (Norm)
LED D 9.5-75W 840 PAR30S 25D	94.1	-	92	-



© 2014 Koninklijke Philips N.V. (Royal Philips)
All rights reserved.

Specifications are subject to change without notice. Trademarks are the property of Koninklijke Philips N.V. (Royal Philips) or their respective owners.

www.philips.com/lighting

2014, November 1
data subject to change