



MASTER VALUE LEDs pot LV

MASTER LEDspotLV D 7-35W 927 MR16 24D

Philips MASTER VALUE MR16 is the series of Low Voltage (12 VAC) Halogen MR16 replacements. Not only does it employ Philips' patented solution to guarantee the broadest possible compatibility with standard 12 V Halogen electronic transformers, it also delivers beam intensity which is equivalent to the 50 W Philips Halogen MR16 lamps. The form-factor of Philips MASTER Value LED MR16 guarantees a 100% form on the back-side of the lamp (exact fit with Halogen lamps.)

Warnings and Safety

- Operating temperature range is between -20° C and 45° C ambient
- Only to apply in dry or damp locations and most of open fixtures with lamp-holders that offer sufficient space (10 mm free air space)
- Not intended for use with emergency light fixtures or exit lights

Product data

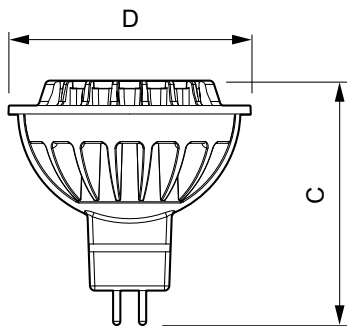
General Information		Correlated Colour Temperature	
Cap base	GU5.3 [GU5.3]	Correlated Colour Temperature	2700 K
Nominal lifetime	40,000 h	Luminous efficacy (rated) (nom.)	57.14 lm/W
Switching Cycle	50,000	Colour consistency	<6
Lighting Technology	LED	Colour rendering index (CRI)	90
EU RoHS compliant	Yes	LLMF at end of nominal lifetime (nom.)	70 %
Light Technical		Luminous flux in 90° cone (rated)	400 lm
Colour Code	927	Operating and Electrical	
Beam angle (nom.)	24 degree(s)	Power Consumption	7 W
Luminous Flux	400 lm	Lamp current (nom.)	720 mA
Luminous intensity (nom.)	2,100 cd	Starting time (nom.)	0.5 s
Colour designation	Warm White (WW)	Warm-up time to 60% light	1 s
		Power Factor (Fraction)	0.7

MASTER VALUE LEDspot LV

Voltage (nom.)	12 V
Temperature	
T-Case maximum (nom.)	92 °C
Controls and Dimming	
Dimmable	Yes
Mechanical and Housing	
Bulb shape	MR16 [2 inch/50 mm]
Approval and Application	
Energy-saving product	Yes
Suitable for accent lighting	Yes

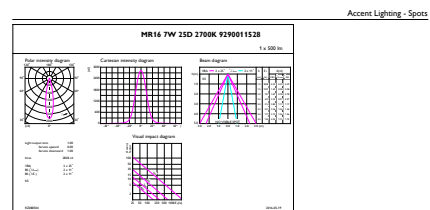
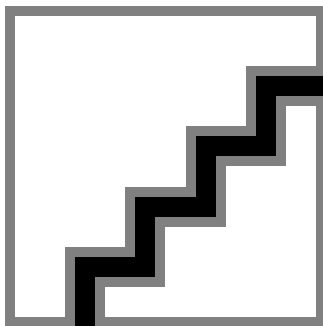
Energy consumption kWh/1,000 hours	8 kWh
Product Data	
Order product name	MAS LEDspotLV D 7-35W 927 MR16 24D
Full product name	MASTER LEDspotLV D 7-35W 927 MR16 24D
Full EOC	871869665923600
Order code	65923600
Material no. (12 NC)	929001152832
SAP numerator – quantity per pack	1
EAN/UPC – Product/Case	8718696659236
Numerator – packs per outer box	10
EAN/UPC - Case	8718696659243

Dimensional drawing



Product	D	C
MAS LEDspotLV D 7-35W 927 MR16 24D	51 mm	51 mm

Photometric data



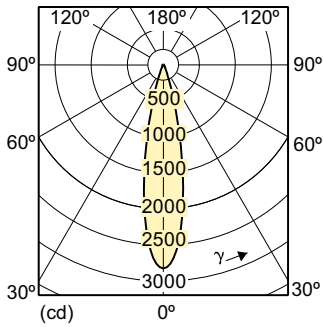
Accent Lighting - Spots
 Calculux Photonics 4.5 Philips Lighting B.V. Page 1/1

Spectral Power Distribution Colour - MAS LEDspotLV D 7-35W 927 MR16 24D

General uniform lighting - MAS LEDspotLV D 7-35W 927 MR16 24D

MASTER VALUE LEDspot LV

Photometric data



Light Distribution Diagram - MAS LEDspotLV D 7-35W 927 MR16 24D

