



MASTER LEDspot PAR

MASLEDspot D 9.5-90W 827WW PAR30S 25D SO

With its robust design and warm-white beam of light, these new-generation PAR lamps are ideal for general lighting and spot lighting in the hospitality industry. There is a choice of dimmable and non-dimmable versions. They are especially suitable for public areas such as lobbies, corridors, stairwells, where the light is always on.

Product data

General Information	
Cap-Base	E27 [E27]
Nominal Lifetime (Nom)	40000 h
Switching Cycle	50000X
Technical Type	9.5-90W
Light Technical	
Color Code	827 [CCT of 2700K]
Beam Angle (Nom)	25 °
Light Distribution	Medium beam 25°
Luminous Flux (Nom)	845 lm
Luminous Flux (Rated) (Nom)	845 lm
Luminous Intensity (Nom)	3500 cd
Color Designation	Warm White (WW)
Rated Beam Angle	25 °
Correlated Color Temperature (Nom)	2700 K
Luminous Efficacy (rated) (Nom)	88.4 lm/W
Color Consistency	<6
Color Rendering Index (Nom)	80
LLMF At End Of Nominal Lifetime (Nom)	70 %
Luminous Flux in 90° Cone (Rated)	815 lm

Operating and Electrical	
Input Frequency	50 to 60 Hz
Power (Rated) (Nom)	9.5 W
Lamp Current (Nom)	44 mA
Wattage Equivalent	90 W
Starting Time (Nom)	0.5 s
Warm Up Time to 60% Light (Nom)	0.5 s
Power Factor (Nom)	0.85
Voltage (Nom)	230 V

Controls and Dimming	
Dimmable	Yes

Approval and Application	
Energy Efficiency Label (EEL)	A+
Suitable For Accent Lighting	Yes
Energy Consumption kWh/1000 h	10 kWh

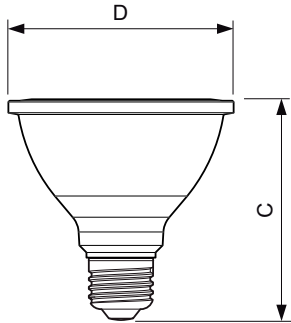
Product Data	
Full product code	871869655080900
Order product name	MASLEDspot D 9.5-90W 827WW PAR30S 25D SO
EAN/UPC - Product	8718696550809

MASTER LEDspot PAR

Order code	929001198702
Numerator - Quantity Per Pack	1
Numerator - Packs per outer box	6
Material Nr. (12NC)	929001198702

Net Weight (Piece)	0.202 kg
--------------------	----------

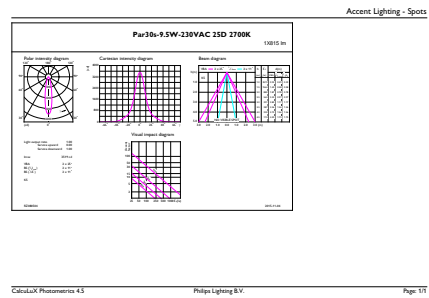
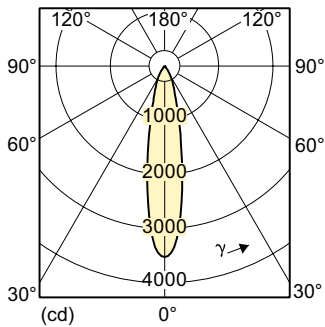
Dimensional drawing



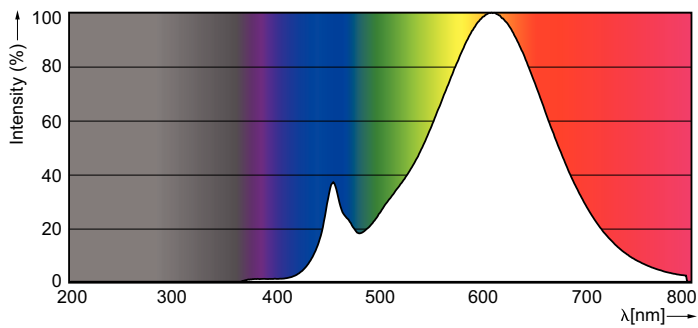
PAR30S 9.5W-90W 650lm 25D 2700K E27 D

Product	D	C
MASLEDspot D 9.5-90W 827WW PAR30S 25D SO	92 mm	93 mm

Photometric data



PAR30S 9.5W-90W /827 25D E27 D



MASTER LEDspot PAR

