



MASTER LEDtube EM/ Mains T8

MAS LEDtube 1200mm UO 18W 830 T8 RS

The Philips MASTER LEDtube integrates a LED light source into a traditional fluorescent form factor. Its unique design creates a perfectly uniform visual appearance which cannot be distinguished from traditional fluorescent. For those that are looking for value for money within limited budget and re-lamping efforts for better light effect and lifetime.

Product data

General Information	
Cap-Base	G13 [Medium Bi-Pin Fluorescent]
Main Application	Industrial
Nominal Lifetime (Nom)	50000 h
Switching Cycle	200000X
B50L70	50000 h
Light Technical	
Color Code	830 [CCT of 3000K]
Beam Angle (Nom)	160 °
Luminous Flux (Nom)	2300 lm
Luminous Flux (Rated) (Nom)	2300 lm
Rated Beam Angle	160 °
Correlated Color Temperature (Nom)	3000 K
Luminous Efficacy (rated) (Nom)	128 lm/W
Color Consistency	<6
Color Rendering Index (Nom)	83
LLMF At End Of Nominal Lifetime (Nom)	70 %

Operating and Electrical	
Input Frequency	50 to 60 Hz
Power (Rated) (Nom)	18 W
Lamp Current (Max)	82 mA
Lamp Current (Min)	75 mA
Starting Time (Nom)	0.5 s
Warm Up Time to 60% Light (Nom)	0.1 s
Power Factor (Nom)	0.9
Voltage (Nom)	220-240 V
Temperature	
T-Ambient (Max)	35 °C
T-Ambient (Min)	-20 °C
T-Storage (Max)	65 °C
T-Storage (Min)	-40 °C
T-Case Maximum (Nom)	55 °C
Controls and Dimming	
Dimmable	No

MASTER LEDtube EM/Mains T8

Mechanical and Housing

Product Length 1200 mm

Approval and Application

Energy Efficiency Label (EEL) A++
 Energy Saving Product Yes
 Suitable For Accent Lighting No
 Approval Marks CE marking KEMA Keur certificate RoHS compliance
 Energy Consumption kWh/1000 h 18 kWh

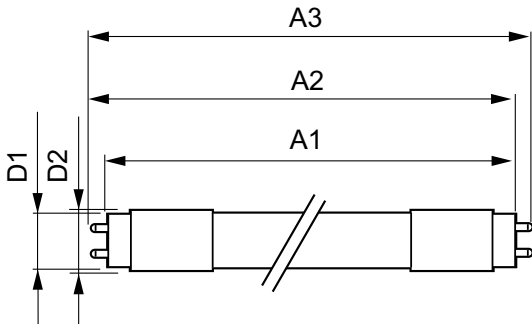
Product Data

Full product code 871869646149500
 Order product name MAS LEDtube 1200mm UO 18W 830 T8 RS
 EAN/UPC - Product 8718696461495
 Order code 929001148802
 Numerator - Quantity Per Pack 1
 Numerator - Packs per outer box 10
 Material Nr. (12NC) 929001148802
 Net Weight (Piece) 0.270 kg

Warnings and Safety

• NOTES: The overall energy efficiency and light distribution of any installation that uses these lamps are determined by the design of the installation.

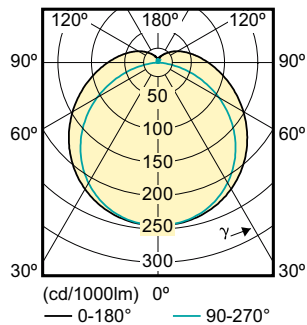
Dimensional drawing



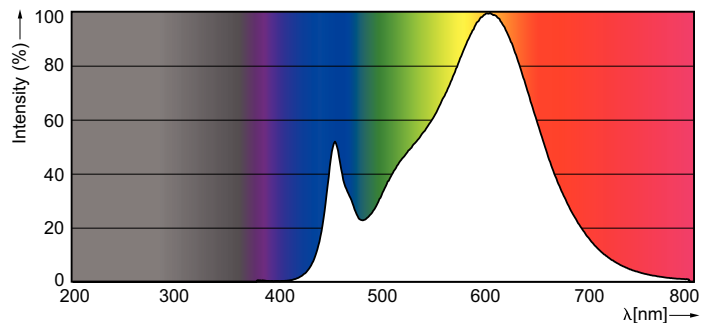
LEDtube 1200mm UO 20W 830 T8 ROT

Product	D1	D2	A1	A2	A3
MAS LEDtube 1200mm UO 18W 830 T8 RS	25.7 mm	28 mm	1198 mm	1205 mm	1212 mm

Photometric data



LEDtube 1200 mm UO, 1500 mm UO, 1800 mm T8 ROT



LEDtube 1200 mm UO 20 W /830 T8 ROT

MASTER LEDtube EM/Mains T8

