



# MASTER LEDspot PAR

## MASLEDspot D 13-100W 827WW PAR38 25D

With its robust design and warm-white beam of light, these new-generation PAR lamps are ideal for general lighting and spot lighting in the hospitality industry. There is a choice of dimmable and non-dimmable versions. They are especially suitable for public areas such as lobbies, corridors, stairwells, where the light is always on.

### Product data

General Information	
Cap-Base	E27 [ E27]
Nominal Lifetime (Nom)	40000 h
Switching Cycle	50000X
Technical Type	13-100W
Light Technical	
Color Code	827 [ CCT of 2700K]
Beam Angle (Nom)	25 °
Light Distribution	Medium beam 25°
Luminous Flux (Nom)	1100 lm
Luminous Flux (Rated) (Nom)	1100 lm
Luminous Intensity (Nom)	5000 cd
Color Designation	Warm White (WW)
Rated Beam Angle	25 °
Correlated Color Temperature (Nom)	2700 K
Luminous Efficacy (rated) (Nom)	77.00 lm/W
Color Consistency	<6
Color Rendering Index (Nom)	80
LLMF At End Of Nominal Lifetime (Nom)	70 %
Luminous Flux in 90° Cone (Rated)	1000 lm

Operating and Electrical	
Input Frequency	50 to 60 Hz
Power (Rated) (Nom)	13 W
Lamp Current (Nom)	60 mA
Starting Time (Nom)	0.5 s
Warm Up Time to 60% Light (Nom)	instant full light
Power Factor (Nom)	0.9
Voltage (Nom)	220-240 V

Temperature	
T-Case Maximum (Nom)	65 °C

Controls and Dimming	
Dimmable	Yes

Approval and Application	
Energy Efficiency Label (EEL)	A+
Suitable For Accent Lighting	Yes
Energy Consumption kWh/1000 h	13 kWh

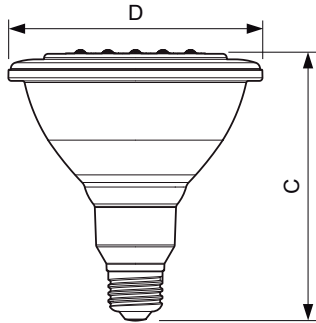
Product Data	
Full product code	871869646043600
Order product name	MASLEDspot D 13-100W 827WW PAR38 25D

# MASTER LEDspot PAR

EAN/UPC - Product	8718696460436
Order code	929001142802
Numerator - Quantity Per Pack	1
Numerator - Packs per outer box	10

Material Nr. (12NC)	929001142802
Net Weight (Piece)	0.362 kg

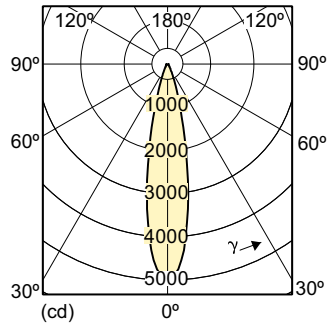
## Dimensional drawing



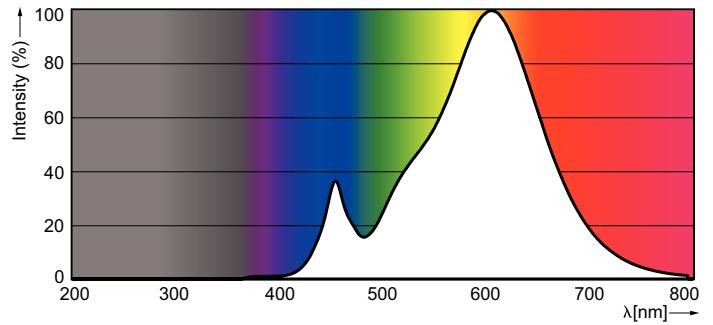
LED D 13-100W 827 PAR38 25D

Product	D	C
MASLEDspot D 13-100W 827WW PAR38 25D	124 mm	132 mm

## Photometric data



13-100 W E27 PAR38 /827 2700 K 25D



13-100 W E27 PAR38 /827

