

PRODUCT DATASHEET

SMART+ ZB TIBEA MINI Tunable White

TIBEA E27 Tunable White | Indoor luminaire including LED lamp for indirect lighting with Zigbee technology



Areas of application

- General illumination
- Residential interiors
- Professional (hotels, bars, boutiques etc.)

Product benefits

- Stylish and modern design
- Indirect lighting for a relaxing atmosphere
- Wireless control via app or voice control
- Easy to install and use
- Contains no mercury

Product features

- Controllable via compatible smart home system (gateway and app) or SMART+ Switch
- Adjustable color temperature via Tunable White: 2,700...6,500 K
- Dimmable
- As ceiling, pendant and mini type-version available
- Network protocol: ZigBee
- Lifetime: up to 20,000 h
- For full functionality, connection to a compatible smart home System (gateway and app) required



TECHNICAL DATA**Electrical data**

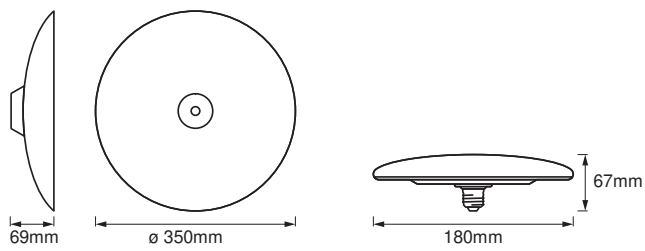
Nominal wattage	22.00 W
Nominal voltage	220...240 V
Mains frequency	50...60 Hz
Power factor λ	≥ 0.90
Protection class	II
Operating mode	Integrated LED driver

Photometrical data

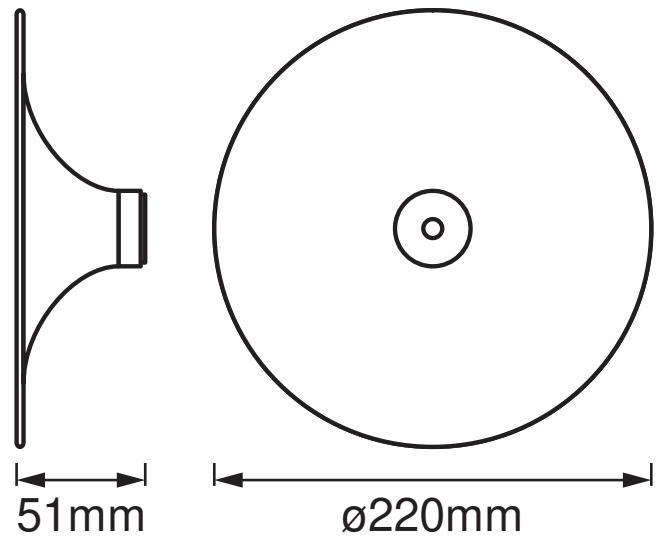
Luminous flux	1600 lm
Luminous efficacy	73 lm/W
Color temperature	2700...6500 K
Light color (designation)	Tunable White
Color rendering index Ra	> 80
Standard deviation of color matching	≤ 6 sdc

Dimensions & Weight

Diameter	220.00 mm
Height	51.00 mm
Product weight	560.00 g



Product line drawing with numbers



Product line drawing with numbers

Materials & Colors

Product color	White
Housing color	White
Body material	Aluminum
Mercury content	0.0 mg

Application & Mounting

Ambient temperature range	-20...+40 °C
Type of connection	Terminal, 2-Pole (L, N)
Type of protection	IP20
Dimmable	Yes
Mounting type	Surface
Mounting location	Ceiling / Wall
Application environment	Indoor
With light source	Yes
Holder designation	E27

Lifespan

Lifespan L70/B50 at 25 °C	20000 h
---------------------------	---------

Lifespan L80/B10 at 25 °C	20000 h
Lifespan L90/B10 at 25 °C	20000 h
Number of switching cycles	100000




Certificates & Standards

Standards	CE
-----------	----

EQUIPMENT / ACCESSORIES

- Control via app or voice control requires compatible Smart home system

DOWNLOAD DATA

DOWNLOAD DATA	
	User instruction
	Tender documents
	Declarations of conformity

LOGISTICAL DATA

Product code	Packaging unit (Pieces/Unit)	Dimensions (length x width x height)	Gross weight	Volume
4058075345386	Folding box 1	80 mm x 458 mm x 318 mm	780.00 g	11.65 dm ³
4058075345393	Shipping box 4	470 mm x 330 mm x 338 mm	3705.00 g	52.42 dm ³

The mentioned product code describes the smallest quantity unit which can be ordered. One shipping unit can contain one or more single products. When placing an order, for the quantity please enter single or multiples of a shipping unit.

DISCLAIMER

Subject to change without notice. Errors and omission excepted. Always make sure to use the most recent release.