

MASTER LEDspot LV

MASTER LEDspotLV 4-20W G4 WW MR11 24D



Delivering a warm, halogen-like accent beam, MASTER LEDspot LV is an ideal retrofit solution for spot and general lighting applications in the hospitality industry. It is particularly suited to public areas such as receptions, lobbies, corridors, stairwells and washrooms, where the light is on all the time. The robustly designed MASTER LEDspot offers a choice of beam angles for a clearly defined beam spread. There is no UV or IR in the beam, making it suitable for illuminating heat-sensitive objects (food, organic materials, paintings, etc.). Innovative active cooling technology - thanks to the fan inside - results in maximum performance of the lamp. The patented intelligent driver enables broad compatibility with existing electromagnetic and electronic halogen transformers. The dimmable versions drive further efficiencies, while helping to create the desired atmosphere.

Product data

• General Characteristics

Cap-Base	GU4
Bulb	MR11 [MR11]
Rated Lifetime (hours)	25000 hr

• Light Technical Characteristics

Colour Code	WW
Colour Designation	Warm White
Beam Angle	24 D
Beam Description	- [-]
Correlated Colour Temperature	2700 K
Luminous Intensity	720 cd
Colour rendering index	90
Colour Temperature	2700 K [CCT 2700K]
Rated Luminous Flux	120 Lm

• Electrical Characteristics

Wattage	4 W
Wattage Technical	4.0 W
Voltage	12 V
Line Frequency	50-60 Hz
Power Factor	0.44 -
Lamp Current mA	700 mA
Dimmable	No
Wattage Equivalent	20 W

Starting Time	0.5 (max) s
---------------	-------------

• Measuring Conditions

Switching cycle	50000x
-----------------	--------

• Product Dimensions

Overall Length C	40 mm
Diameter D	35 mm

• Product Data

Order code	192206 00
Full product code	871829119220600
Full product name	MASTER LEDspotLV 4-20W G4 WW MR11 24D
Order product name	MAS LEDspotLV 4-20W G4 WW MR11 24D
Pieces per pack	1
Packing configuration	12
Packs per outerbox	12
Bar code on pack - EAN1	8718291192206
Bar code on outerbox - EAN3	8718291192213
Logistic code(s) - 12NC	929000220902
Net weight per piece	0.026 kg



PHILIPS

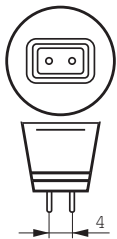
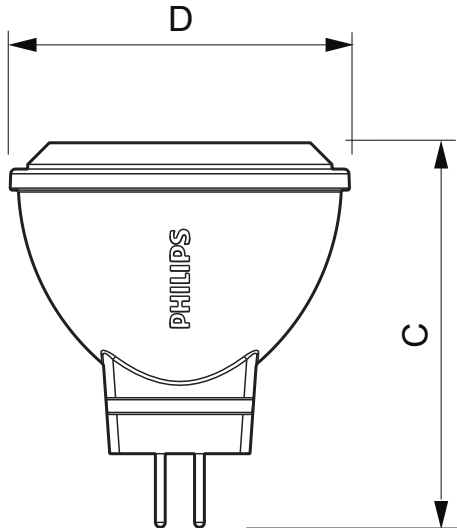
sense and simplicity

Warnings and Safety

- Operating temperature range is between -20° C and 45° C ambient
- Only to apply in dry or damp locations and most of open fixtures with lamp-holders that offer sufficient space (10 mm free air space)

- Not intended for use with emergency light fixtures or exit lights

Dimensional drawing



GU4

MASTER LEDspotLV 4-20W G4 WW MR11 24D

Product	C (Norm)	C1 (Max)	D (Norm)	D1 (Norm)
LED 4-20W GU4 WW MR11 24D Ra90	40	-	35	-



© 2013 Koninklijke Philips Electronics N.V.
All rights reserved.

Specifications are subject to change without notice. Trademarks are the property of Koninklijke Philips Electronics N.V. or their respective owners.

www.philips.com/lighting

2013, May 9
data subject to change