

PHILIPS

Philips MASTER LED spotLV AR111 10-50W 3000K 24D LED bulb 10 W G53

Brand : Philips

Product family: MASTER LED

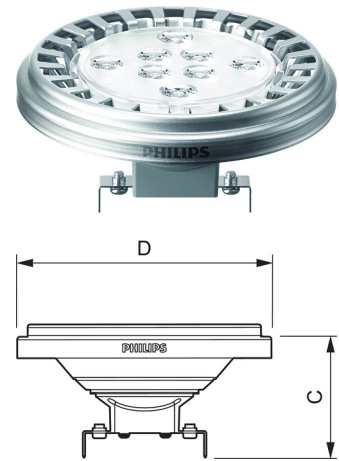
Article code: 929000197702

Product name : spotLV AR111
10-50W 3000K 24D

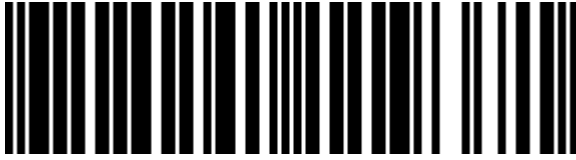
MASTER LED spotLV AR111 10-50W 3000K 24D, 3370cd

Philips MASTER LED spotLV AR111 10-50W 3000K 24D LED bulb 10 W G53:

Delivering a warm, halogen-like accent beam, MASTER LEDspot LV AR111 is an ideal retrofit solution for spot and general lighting applications in the hospitality and retail industry. It is particularly suitable for general lighting where the light is on all the time, such as creative accent lighting applications in shops, restaurants, hotels, and especially for galleries, exhibitions and museums. The robustly designed MASTER LEDspot LV AR111 offers various beam angles for a clearly defined beam spread. There is no UV or IR in the beam, making it suitable for illuminating heat-sensitive objects (food, organic materials, paintings, etc.). The patented intelligent driver enables broad compatibility with existing electromagnetic and electronic halogen transformers. MASTER LEDspot LV AR111 delivers huge energy savings and minimizes maintenance cost without any reduction in brightness.



Performance		Power	
Luminous flux *	580 lm	AC input frequency	50 - 60 Hz
Bulb lifetime *	45000 h	Power supply input voltage	12 V
Equivalent bulb power *	50 W	Weight & dimensions	
Light color *	White	Diameter	4.37" (11.1 cm)
Color temperature	3000 K	Length	2.36" (60 mm)
Beam angle (max)	24°	Weight	4.23 oz (120 g)
Color Rendering Index (CRI)	80	Technical details	
Power factor	0.8	Bulb size	Reflector
Luminous efficacy	58 lm/W	Quantity	1
Bulb power *	10 W	Start-up time	0.5 s
Fitting/cap type *	G53	Color consistency	6 steps
Luminous intensity	3370 cd	Other features	
Power		Energy efficiency class (old)	A
Bulb current	1000 mA		



8718291119371

Disclaimer. The information published here (the "Information") is based on sources that can be considered reliable, typically the manufacturer, but this Information is provided "AS IS" and without guarantee of correctness or completeness. The Information is only indicative and can be changed at any time without notification. No rights can be based on the Information. Suppliers or aggregators of this Information do not accept any liability with regard to the content of (web)pages and other documents, including its Information. The publisher of the Information can not be held liable for the content of 3rd party websites that are linking this Information or are linked to from this Information. You as the User of the Information are solely responsible for the choice and usage of this Information. You are not entitled to transfer, copy or otherwise multiply or distribute the Information. You are obliged to follow the directions of the copyright owner(s) with regard to the use of the Information. Exclusively Dutch law is applicable. With regard to price and stock data on the site, the publisher followed a number of starting points, which are not necessarily relevant for your private or business circumstances. Therefore, the price and stock data are only indicative and are subject to changes. You are personally responsible for the way you use and apply this information. As a user of the Information or sites or documents in which this Information is included, you will adhere to standard fair use including avoidance of spamming, ripping, intellectual-property violations, privacy violations, and any other illegal activity.

Publication date: 08-DEC-2023. Prints or copies of Information are only valid on the printed Publication date