



MASTER LEDspot PAR

MASTER LEDspot 17-90W 827 PAR38 OD

With its robust design and warm-white beam of light, these new-generation PAR lamps are ideal for general lighting and spot lighting in the hospitality industry. There is a choice of dimmable and non-dimmable versions. They are especially suitable for public areas such as lobbies, corridors, stairwells, where the light is always on. Compatible with existing fixtures with an E27 holder and designed for retrofit replacement of halogen/incandescent lamps, MASTER LEDspot PAR deliver huge energy savings and minimize maintenance cost without any reduction in brightness. The IP44-rated outdoor version of the PAR 38 lamp is one of the few energy-saving alternatives to incandescent PAR38 outdoor lamps available today. The dimmable PAR 20 is a perfect replacement for an incandescent spot.

Product data

• General Characteristics

| | |
|------------------------|------------------|
| Cap-Base | ES |
| Bulb | PAR38 [PAR38 mm] |
| Rated Lifetime | 25000 hr |
| Nominal Lifetime hours | 25000 hr |

• Light Technical Characteristics

| | |
|-------------------------------|--------------------|
| Colour Code | WW |
| Colour Designation | Warm White |
| Beam Angle | 25 D |
| Beam Description | 25D [Medium beam] |
| Correlated Colour Temperature | 2700 K |
| Luminous Flux | 780 Lm |
| Luminous Intensity | 3500 cd |
| Colour rendering index | 80 |
| Luminous Efficacy Lamp | 47.65 Lm/W |
| Colour Temperature | 2700 K [CCT 2700K] |
| Rated Luminous Flux | 780 Lm |
| LLMF - end nominal lifetime | 70 % |
| Colour consistency | 6 steps |
| Rated Beam Angle | 25 D |

• Electrical Characteristics

| | |
|-------------------|-----------|
| Wattage | 17 W |
| Wattage Technical | 17.0 W |
| Voltage | 220-240 V |
| Line Frequency | 50-60 Hz |
| Power Factor | 0.7 - |
| Lamp Current mA | 90 mA |
| Dimmable | No |

| | |
|--------------------------------|--------------------|
| Wattage Equivalent | 90 W |
| Rated Wattage | 17 W |
| Starting Time | 0.5 (max) s |
| Warm-up Time to 60% Light Outp | instant full light |
| Suitable for accent lighting | No |

• Temperature Characteristics

• Environmental characteristics

| | |
|-------------------------------|---|
| Energy Efficiency Label (EEL) | A |
|-------------------------------|---|

• Measuring Conditions

| | |
|-----------------|--------|
| Switching cycle | 50000X |
|-----------------|--------|

• Product Dimensions

| | |
|------------------|----------|
| Overall Length C | 132.5 mm |
| Diameter D | 121.6 mm |

• Product Data

| | |
|-----------------------|------------------------------------|
| Order code | 119319 00 |
| Full product code | 871829111931900 |
| Full product name | MASTER LEDspot 17-90W 827 PAR38 OD |
| Order product name | MASTER LEDspot 17-90W 827 PAR38 OD |
| Pieces per pack | 1 |
| Packing configuration | 6 |
| Packs per outerbox | 6 |



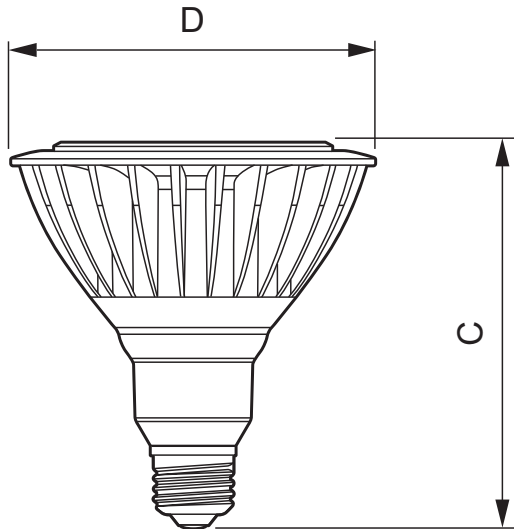
PHILIPS

MASTER LEDspot PAR

Bar code on pack - EAN1 8718291119319
Bar code on outerbox - EAN3 8718291119326

Logistic code(s) - 929000197502
12NC
Net weight per piece 0.609 kg

Dimensional drawing



MASTER LEDspot 17-90W 827 PAR38 OD

| Product | C (Nom) | D (Nom) |
|-------------------------------------|---------|---------|
| LED 17-90W E27 WW 2700K 220-240V OD | 132.5 | 121.6 |



E27



© 2014 Koninklijke Philips N.V. (Royal Philips)
All rights reserved.

Specifications are subject to change without notice. Trademarks are the property of Koninklijke Philips N.V. (Royal Philips) or their respective owners.

www.philips.com/lighting

2014, November 1
data subject to change