

PRODUCT DATASHEET

ENDURA STYLE Wall 12 W DG

ENDURA STYLE WALL | Slim LED luminaires with high light output and optional sensor



AREAS OF APPLICATION

- Outdoor
- Entrance lighting
- Building facades

PRODUCT BENEFITS

- Energy-efficient thanks to LED technology
- 5 years guarantee
- Easy and quick installation

PRODUCT FEATURES

- Very bright and functional outdoor LED luminaires
- Type of protection: IP44
- Die-cast aluminum housing
- Available in two housing colors
- Available with and without motion sensor



TECHNICAL DATA

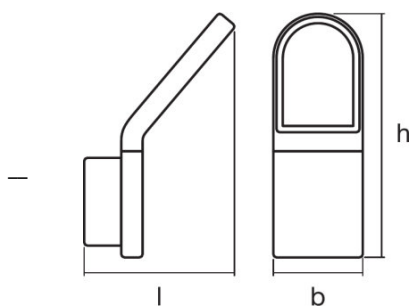
Electrical data

Operating mode	Mains voltage
Nominal wattage	11.50 W
Nominal voltage	220...240 V
Mains frequency	50/60 Hz

Photometrical data

Color temperature	3000 K
Color rendering index Ra	>80
Light color (designation)	Warm White
Luminous flux	740 lm
Luminous efficacy	64 lm/W

Dimensions & weight



Length	168.0 mm
Width	100.0 mm
Height	273.0 mm
Product weight	1300.00 g

Colors & materials

Body material	Aluminum
Housing color	Dark gray
Product color	Dark gray
Cover material	Glass

Temperatures & operating conditions

Ambient temperature range	-20...40 °C
----------------------------------	-------------

Lifespan

Lifespan	30000 h
-----------------	---------

Additional product data

Mounting location	Wall
--------------------------	------

Capabilities

Dimmable	No
Type of connection	Terminal

Certificates & standards

Protection class	I
Type of protection	IP44

EQUIPMENT / ACCESSORIES

- Complete mounting and connecting accessories included

LOGISTICAL DATA

Product code	Product description	Packaging unit (Pieces/Unit)	Dimensions (length x width x height)	Volume	Gross weight
4058075033191	ENDURA STYLE Wall 12 W DG	Shipping carton box 4	425 mm x 285 mm x 315 mm	38.15 dm ³	6668.00 g

The mentioned product code describes the smallest quantity unit which can be ordered. One shipping unit can contain one or more single products. When placing an order, for the quantity please enter single or multiples of a shipping unit.

REFERENCES / LINKS

For Guarantee see

- ▶ www.ledvance.com/guarantee

DISCLAIMER

Subject to change without notice. Errors and omission excepted. Always make sure to use the most recent release.