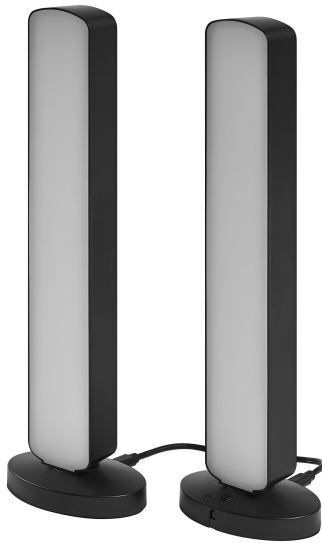


PRODUCT DATASHEET

SMART+ Wifi Mood Light Black RGB + TW

Smart moodlights | Smart Mood Light Bars for indirect lighting with music function and Wi-Fi technology



Areas of application

- Living areas
- Meeting and conference rooms
- Home Entertainment areas
- Gaming corners
- Accent lighting
- For indoor use only

Product benefits

- Flexible positioning, can be placed horizontal or vertical
- Easy and quick installation for an end consumer friendly use. Dual usage either with Remote Control or the SMART Wi-Fi App
- Plug and Play due to EU Plug
- Soft light thanks to indirect light distribution

Product features

- Network protocol: WiFi
- Smart control for adjustable color temperature and RGB color control
- Controllable via LEDVANCE SMART+ App (with minimum Android 8.0 or iOS 14.0)
- Network independent control with IR remote control
- Music rhythm function: With behalf of the Smart Wi-Fi App and integrated voice-receivers the Luminaire reacts to sound and music
- DIY function: You can adjust the color segment per segment and create your own lighting scenes or just use already available lighting scenes



TECHNICAL DATA**Electrical data**

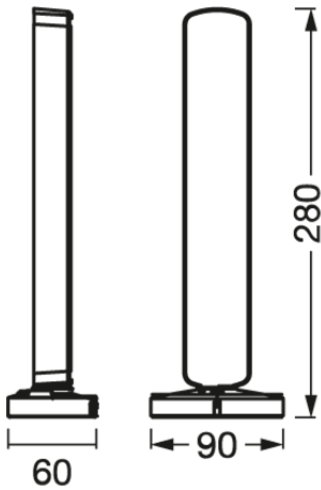
Nominal wattage	8.00 W
Nominal voltage	220...240 V
Mains frequency	50...60 Hz
Nominal current	45.000 mA
Protection class	II

Photometrical data

Luminous flux	240 lm
Total luminous flux of contained light sources	480 lm
Luminous efficacy	30 lm/W
Color temperature	2700...6500 K
Light color (designation)	Tunable White / RGB
Color rendering index Ra	> 80
Standard deviation of color matching	≤6 sdc _m
Photobiological safety group acc. to EN62778	RG1
Beam angle	120 °

Dimensions & Weight

Length	90.00 mm
Width	60.00 mm
Height	280.00 mm
Product weight	427.00 g



Materials & Colors

Product color	Black
Housing color	Black
Body material	Plastic
Mercury content	0.0 mg

Application & Mounting

Ambient temperature range	-20...+40 °C
Type of protection	IP20
Dimmable	Yes
Mounting type	Standing
Application environment	Indoor
Adjustable	Yes
LED module replaceable	Not replaceable
With light source	Yes

Lifespan

Lifespan L70/B50 at 25 °C	30000 h
Number of switching cycles	15000

BATTERY

Type of Battery	Li metal button cell battery
Battery size [GMS]	CR2025

Number of included batteries	1
Nominal voltage of battery	3 V
Nominal capacity of battery	160 mAh



Certificates & Standards

Standards	CE
-----------	----

EQUIPMENT / ACCESSORIES

- Control via app or voice control requires compatible Smart home system
- For control via LEDVANCE SMART+ App, a smartphone or tablet is required (with minimum Android 8.0 or iOS 14.0)
- Remote control with batteries included for network independent operation
- Connecting cables included to link both mood light bars

DOWNLOAD DATA

Documents and certificates	
	User instruction
	Declarations Of Conformity CE

LOGISTICAL DATA

Product code	Packaging unit (Pieces/Unit)	Dimensions (length x width x height)	Gross weight	Volume
4099854014079	Folding box 1	75 mm x 278 mm x 100 mm	504.00 g	2.09 dm ³
4099854014086	Shipping box 8	403 mm x 288 mm x 150 mm	4564.00 g	17.41 dm ³

The mentioned product code describes the smallest quantity unit which can be ordered. One shipping unit can contain one or more single products. When placing an order, for the quantity please enter single or multiples of a shipping unit.

References / Links

- Further information and frequently asked questions (FAQs) at www.ledvance.com/consumer/smart/faq

DISCLAIMER

Subject to change without notice. Errors and omission excepted. Always make sure to use the most recent release.